

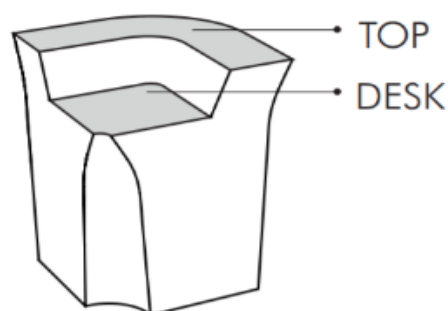
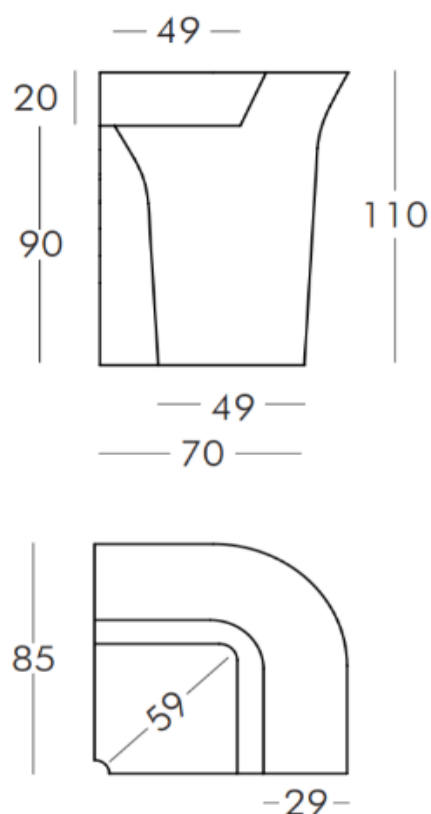
## JUMBO CORNER



### GENERAL INFORMATION:

Bar counter	
Versions:	standard, lighting.
Material:	Polyethylene
Dimensions:	85 x 85 h 110 cm
Weight:	27 Kg
Packaging:	93 x 84 x 113 cm
Packaging volume:	0,882 m <sup>3</sup>
Code:	LP BAR111 lighting (IP 55 for indoor and outdoor use) SD BAR111 standard (for indoor and outdoor use)
Wiring with plastic base and LED CANDY LIGHT.IP44 protection.Diameter 10 cm.	
Lamp type:	E 26
Insulation class 2	
Device proper to direct assembly onto normally inflammable surfaces	

### DIMENSIONS:



**TOP** (not included) 85 x 85 cm

LP BAR115 - tempered glass (6 mm / 4 Kg)

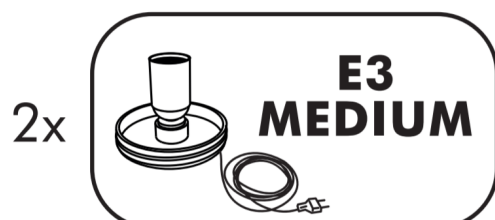
LP BAR119 - stainless steel (1 mm / 2,7 Kg)

**DESK** (not included) 48 x 48 cm

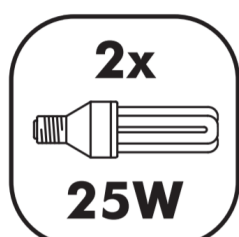
LP BAR114 - tempered glass (6 mm / 3 Kg)

LP BAR120 - stainless steel (1 mm / 1,5 Kg)

### LIGHTING:



Wiring with plastic screw base.I3 - IP20 protection. E3 - IP55 protection.Diameter 10 cm.



Energy saving bulb recommended (not included).

FINISHES:

## STANDARD

- MILKY WHITE (code FT)
- JET BLACK (code FH)
- ELEPHANT GREY (code FG)
- CHOCOLATE BROWN (code FE)
- ARGIL GREY (code FJ)
- DOVE GREY (code FP)
- POWDER BLUE (code FL)
- MALVA GREEN (code FV)
- LIME GREEN (code FR)
- SAFFRON YELLOW (code FB)
- PUMPKIN ORANGE (code FC)
- FLAME RED (code FD)
- SWEET FUCHSIA (code FU)

## LIGHTING

- LIGHT WHITE (code LA)

**JUMBO CORNER COMPONENTS:**

**SINK WITH FAUCET**



Material: stainless steel.  
 Dimensions: 45 x 45 h 20 cm  
 Drain valve/siphon 1 bowl  
 Tubes: Polypropylene plastic  
 Drain Valve / Filter: Stainless Steel  
 Seals: Synthetic rubber  
 Tube for hot and cold water included.  
 Code: LP BAR116  
 Color: steel

