

## SPLAY

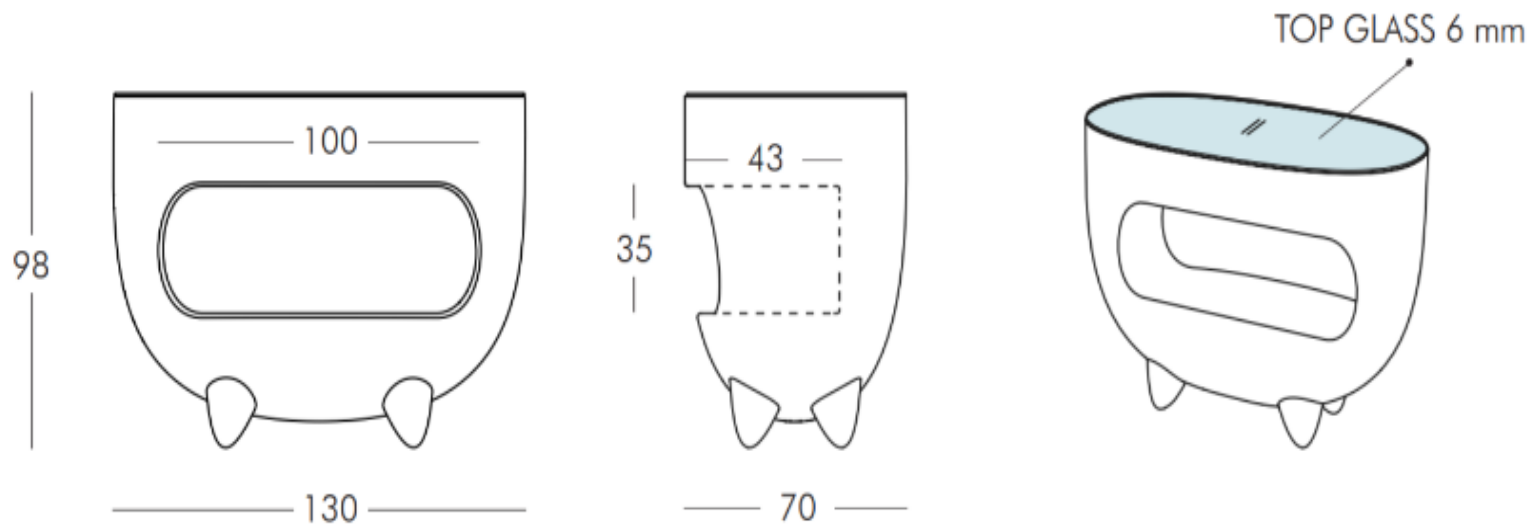


### GENERAL INFORMATION:

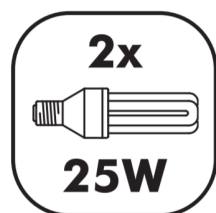
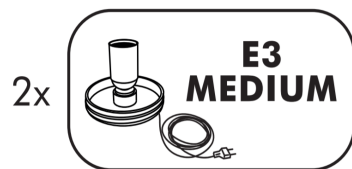
Display/module for banqueting	
Versions:	matt, lacquered
Material:	Polyethylene, tempered glass
Dimensions:	130 x 70 h 98 cm
Weight:	40 Kg
Packaging:	132 x 75 x 120 cm
Packaging volume:	1,188 m <sup>3</sup>
Notes:	tempered glass included (6 mm)
Code:	LP SPL100 lighting IN (IP 20 only for indoor use/ IP 55 outdoor version on request*) SD SPL100 standard (IP 55 for indoor and outdoor use) SL SPL100 lacquered (IP 55 for indoor and outdoor use)
Lamp type:	E 26
Insulation class 2	
Device proper to direct assembly onto normally inflammable surfaces	



### DIMENSIONS:



### LIGHTING:



Wiring with plastic screw base. I3 - IP20 protection. E3 - IP55 protection. Diameter 10 cm

Energy saving bulb recommended (not included).

FINISHES:

STANDARD

- MILKY WHITE (code FT)
- JET BLACK (code FH)
- ELEPHANT GREY (code FG)
- CHOCOLATE BROWN (code FE)
- ARGIL GREY (code FJ)
- DOVE GREY (code FP)
- POWDER BLUE (code FL)
- MALVA GREEN (code FV)
- LIME GREEN (code FR)
- SAFFRON YELLOW (code FB)
- PUMPKIN ORANGE (code FC)
- FLAME RED (code FD)
- SWEET FUCHSIA (code FU)

LIGHTING

- LIGHT WHITE (code LA)

LACQUERED (code GLOSSY/MATT)

- ABSOLUTE WHITE (code QA/MF)
- GLAMOUR BLACK (code QH/MI)
- VANITY GREY (code QG/MK)
- CHARMING IVORY (code Q2/M3)
- SUPREME RED (code QD/MN)
- METALLIC GOLD (code QO/MZ)
- METALLIC SILVER (code QM/MY)
- METALLIC COPPER (code Q4/M5)