

## SWISH

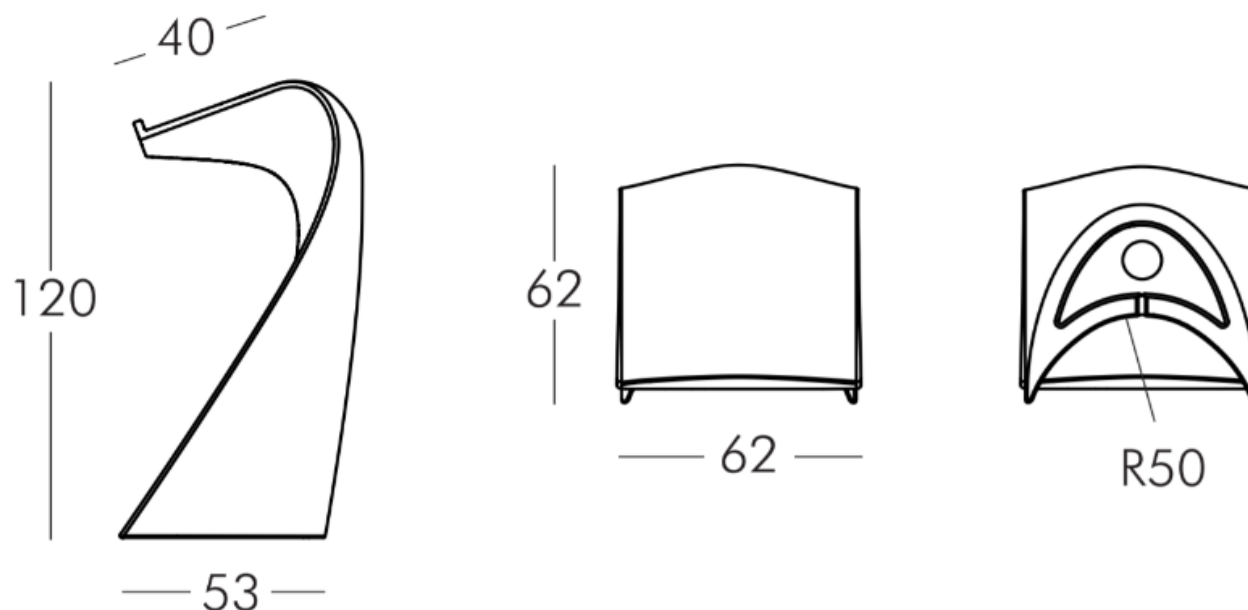


### GENERAL INFORMATION:

Lectern	
Versions:	lighting.
Material:	Polyethylene.
Dimensions:	62 x 62 h 120 cm
Weight:	16 Kg
Packaging:	64 x 64 x 121 cm
Packaging volume:	0,496 m <sup>3</sup>
Code:	SD SWS110 standard SL SWS110 lacquered LP SWS110 lighting (IP20 only for indoor use/ IP 55 outdoor version on request*)
Lamp type:	E 26
Insulation class 2	
Device proper to direct assembly onto normally inflammable surfaces	

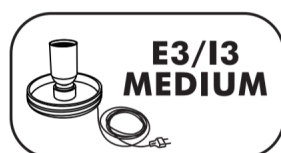


### DIMENSIONS:

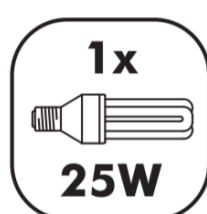


### LIGHTING:

1x



Wiring with plastic screw base. I3 - IP20 protection. E3 - IP55 protection. Diameter 10 cm



Lighting through energy saving bulb. The upper figure shows the number of allowed bulbs. The lower figure shows the MAXIMUM recommended power.

FINISHES:

STANDARD

- MILKY WHITE (code FT)
- JET BLACK (code FH)
- ELEPHANT GREY (code FG)
- CHOCOLATE BROWN (code FE)
- ARGIL GREY (code FJ)
- DOVE GREY (code FP)
- POWDER BLUE (code FL)
- MALVA GREEN (code FV)
- LIME GREEN (code FR)
- SAFFRON YELLOW (code FB)
- PUMPKIN ORANGE (code FC)
- FLAME RED (code FD)
- SWEET FUCHSIA (code FU)

LIGHTING

- LIGHT WHITE (code LA)

LACQUERED (code GLOSSY/MATT)

- ABSOLUTE WHITE (code QA/MF)
- GLAMOUR BLACK (code QH/MI)
- VANITY GREY (code QG/MK)
- CHARMING IVORY (code Q2/M3)
- SUPREME RED (code QD/MN)
- METALLIC GOLD (code QO/MZ)
- METALLIC SILVER (code QM/MY)
- METALLIC COPPER (code Q4/M5)