

## IBERIS PLANTER



### BODY:

Iberis Planters are made from 100% recycled plastic. They are weather and rot-resistant, heavy-duty yet easy to install. The Iberis Planters are maintenance-free and resistant to oils, brines, acids, and saltwater. They are comparatively lightweight, meaning no heavy equipment is required for installation. The Iberis planter is available in five different styles: three square, two rectangular. Due to its neutral, inconspicuous and cube-like shape, this planter blends in especially well in town and urban surroundings. Additional benefit: height can be increased with an add-on layer. Available in Brown color only.



### DIMENSIONS:

|                                             |              |
|---------------------------------------------|--------------|
| Square sizes:                               | 70 x 70 cm   |
|                                             | 110 x 110 cm |
|                                             | 140 x 140 cm |
| Rectangular sizes:                          | 110 x 70 cm  |
|                                             | 140 x 110 cm |
| Height:                                     | 47 cm        |
| Height can be increased with add-on layers* |              |
| Side profile:                               | 9 x 9 cm     |
| Base:                                       | 2 cm thick   |
| Plinth height:                              | 9 cm         |

### HOW TO ORDER:

NAME OF THE PLANTER:

SIZE:

NAME OF THE LIGHT:

QUANTITY OF LIGHTS:

POSITIONING OF LIGHT:

**FOR EXAMPLE:** IBERIS planter / Square 110 x 110cm / KROSS light / 12 lights / 2 lights on each side of the planter + 4 at the top

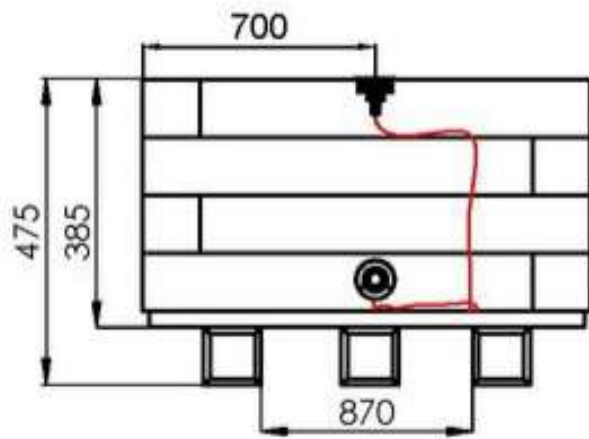
**NOTE:** On the next pages the description of the lights and positioning of them is given.



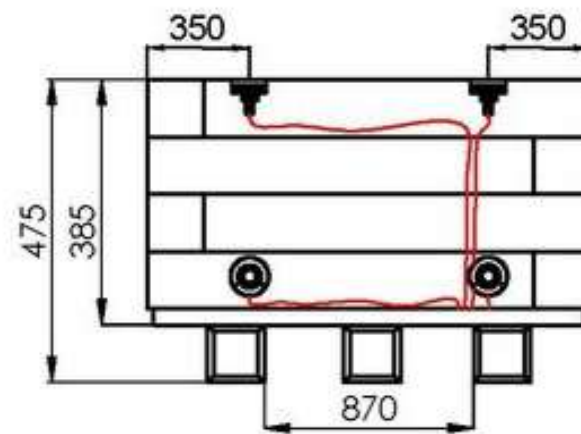


**EXAMPLES OF POSITIONING OF LIGHTS:**

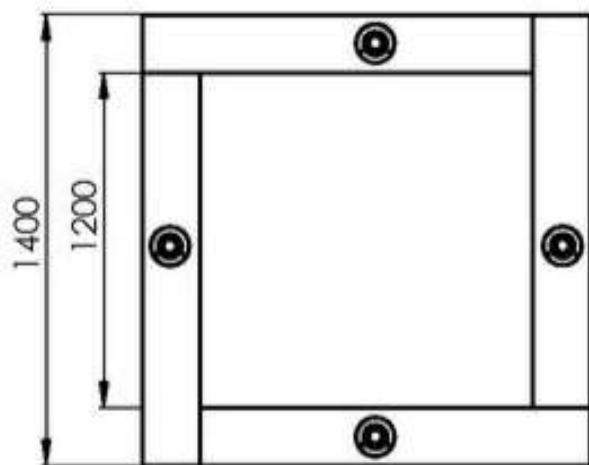
**LEFT**



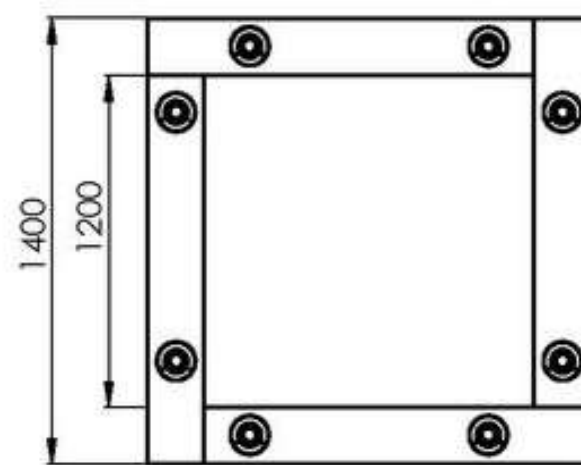
**LEFT**



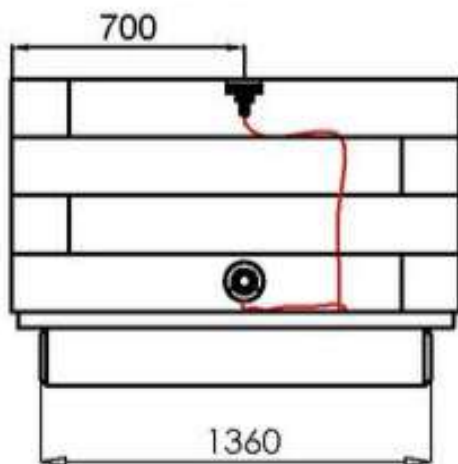
**TOP**



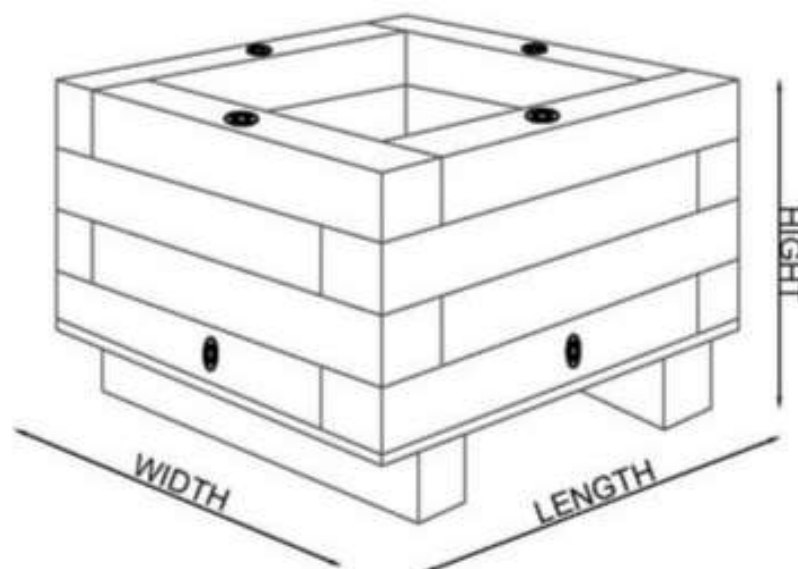
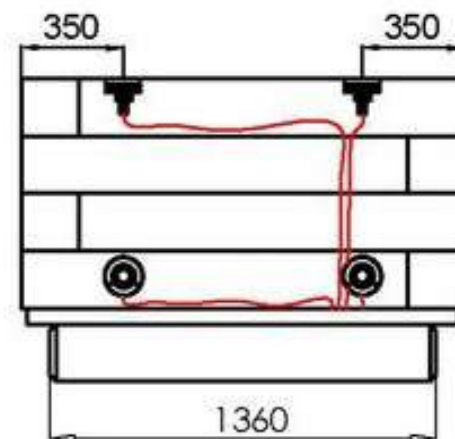
**TOP**



**RIGHT**

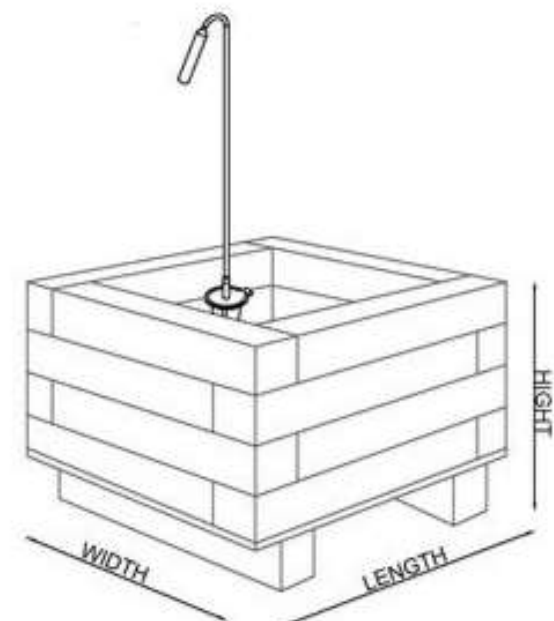
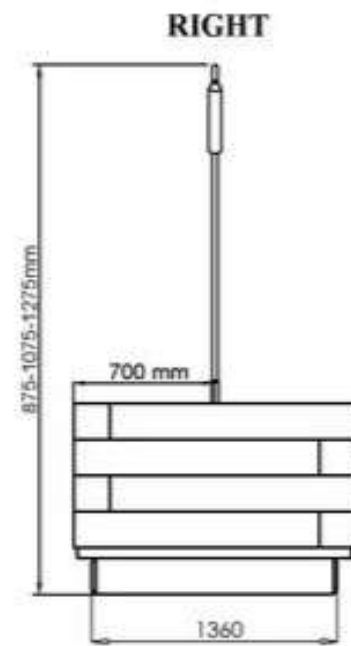
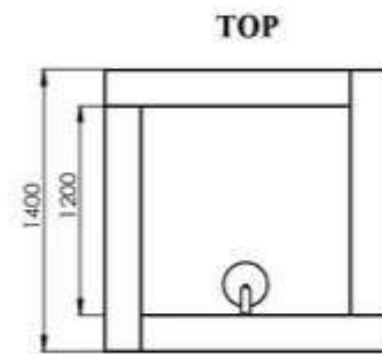
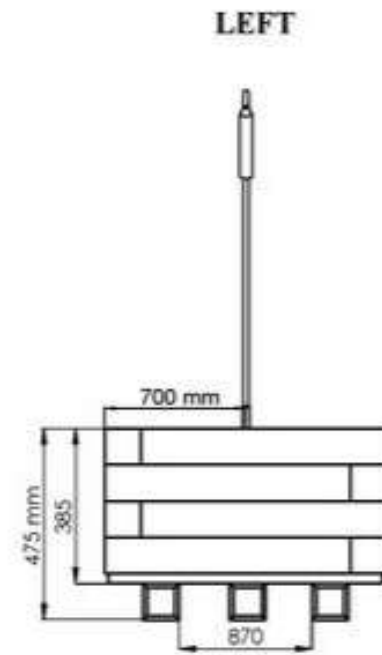
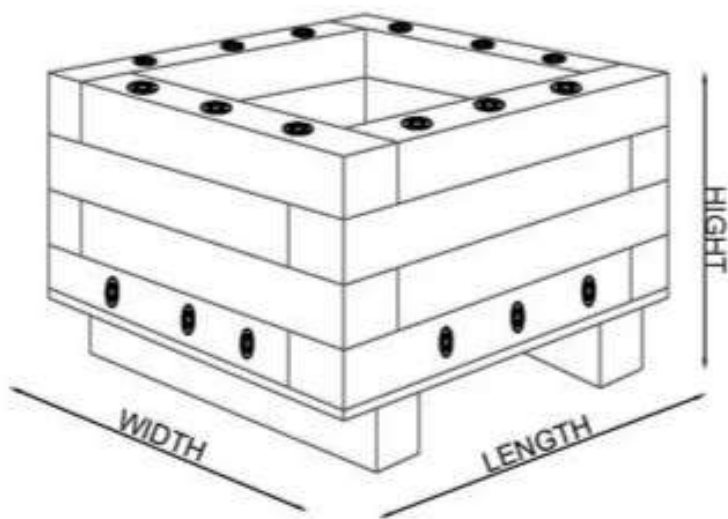
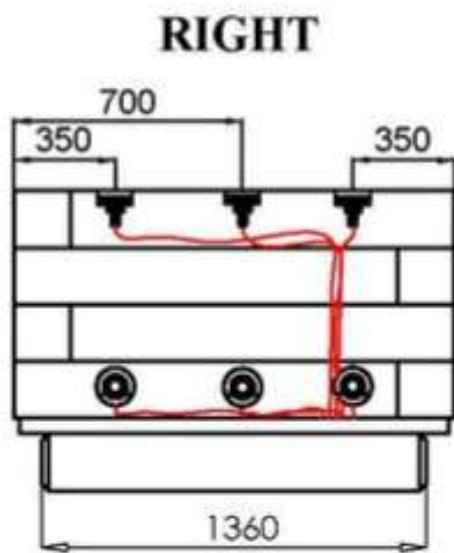
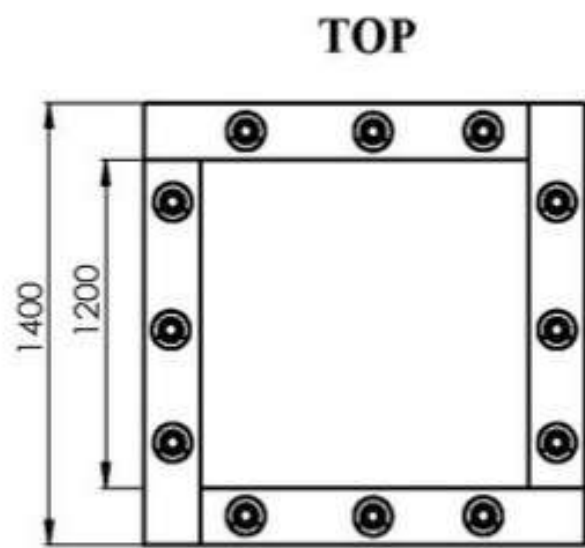
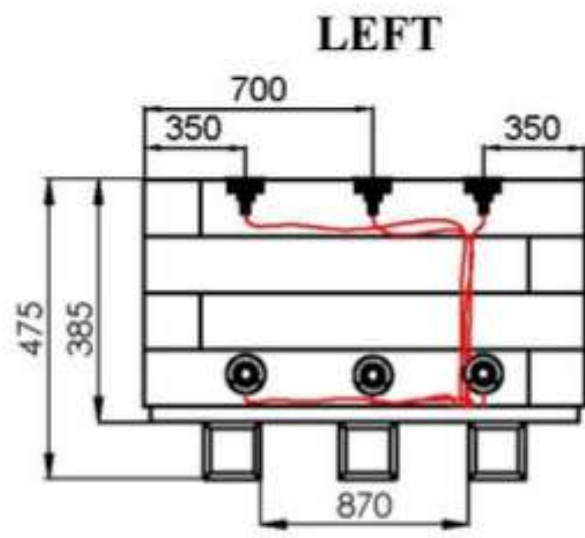


**RIGHT**



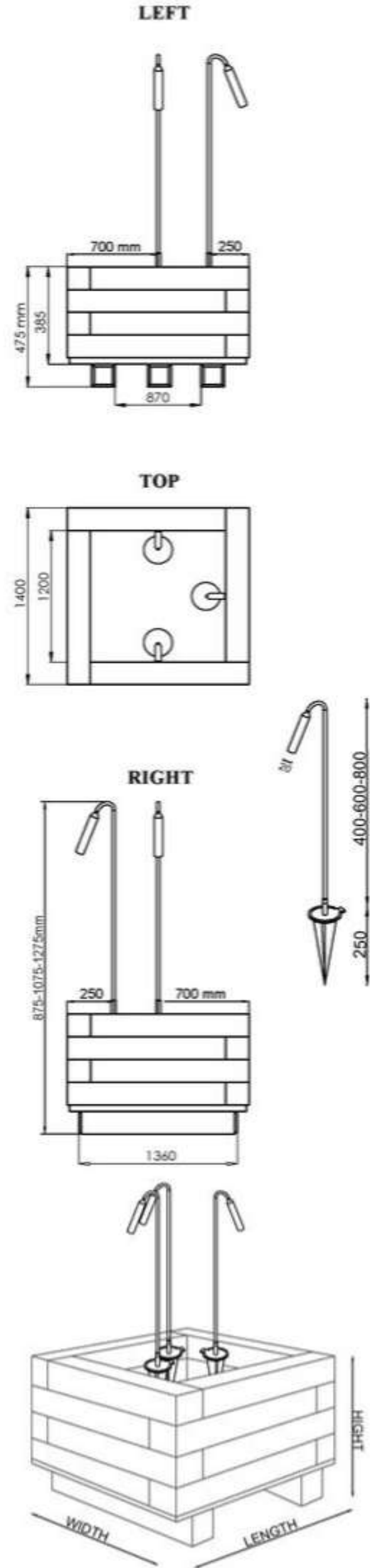
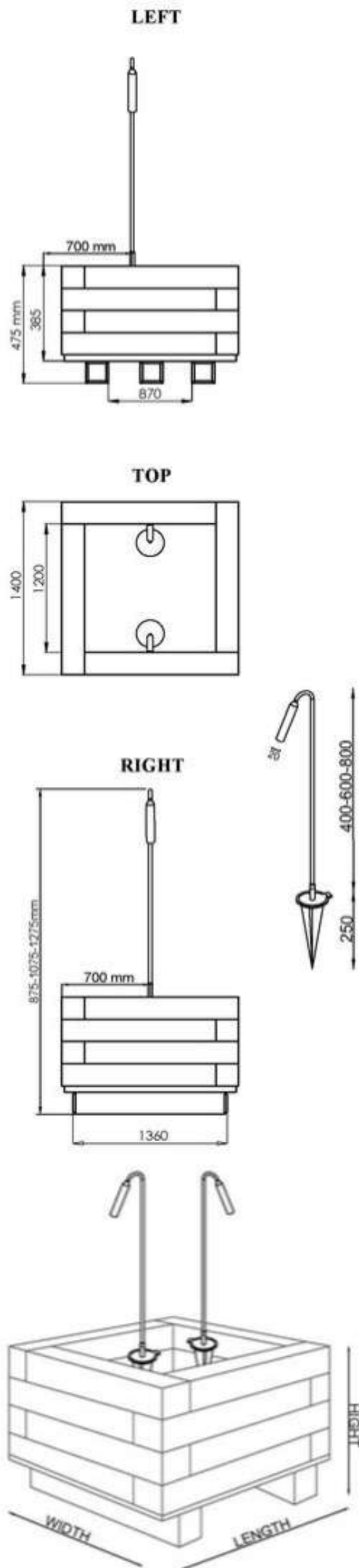


**EXAMPLES OF POSITIONING OF LIGHTS:**





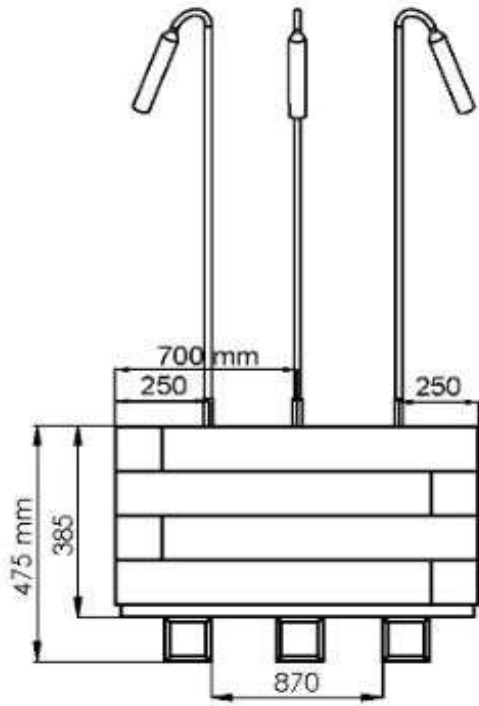
**EXAMPLES OF POSITIONING OF LIGHTS:**



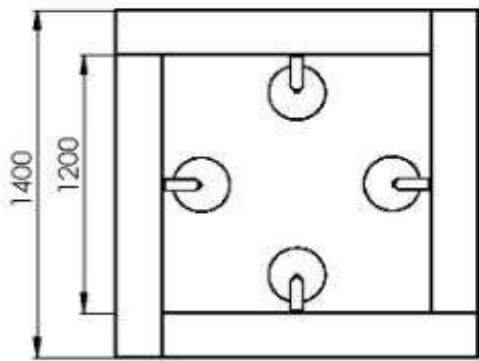


**EXAMPLES OF POSITIONING OF LIGHTS:**

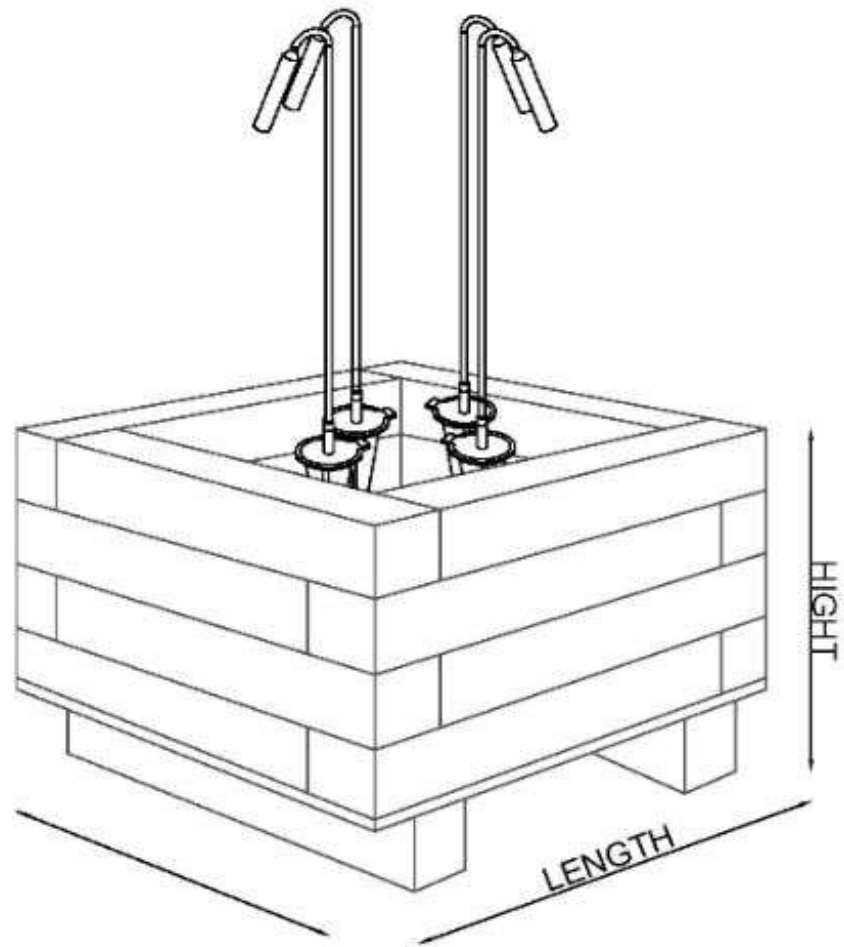
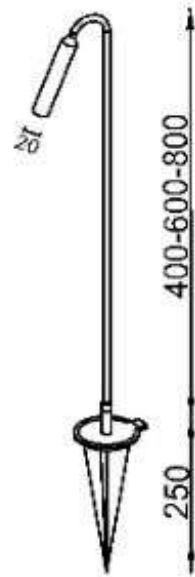
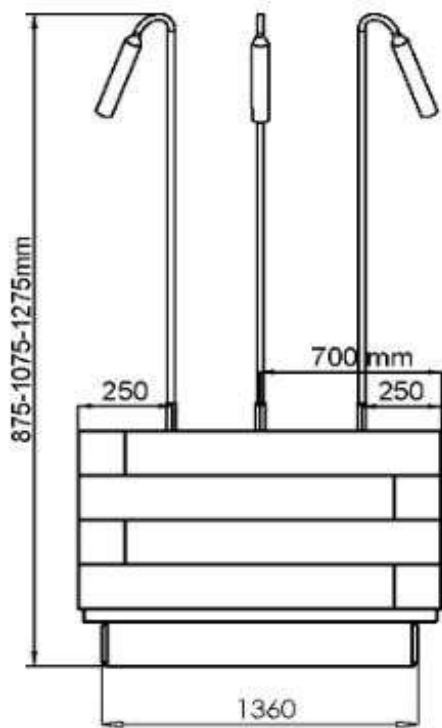
**LEFT**



**TOP**



**RIGHT**



## CERCHIO LIGHT:

### CODE:

6389

### TPOLOGY:

walkover recessed spot

### MATERIALS:

stainless steel AISI 316L

### LIGHTS:

LED

### BULBS:

/W - LED max 2W 500 mA 209lm 4000K

/WW - LED max 2W 500 mA 199lm 3000K

### IP GRADE:

IP 67

### NET WEIGHT:

0,20 Kg

### FINISHING:

.33 MATT STEEL



33. W

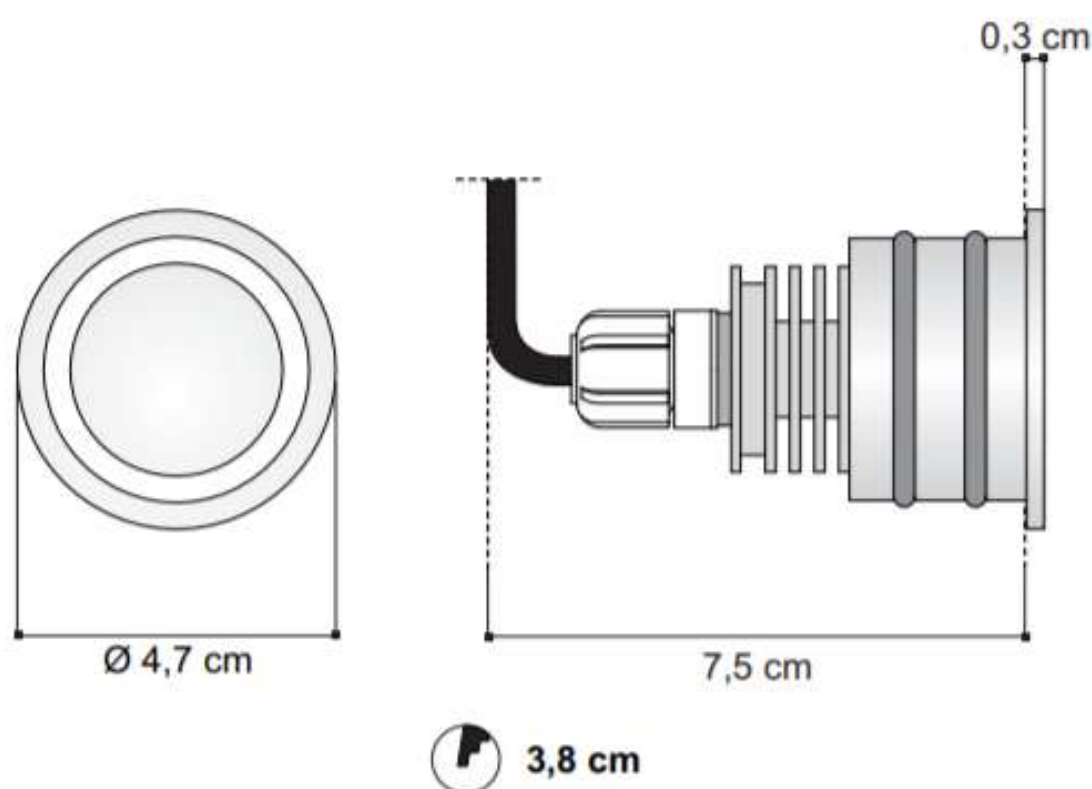


33. B

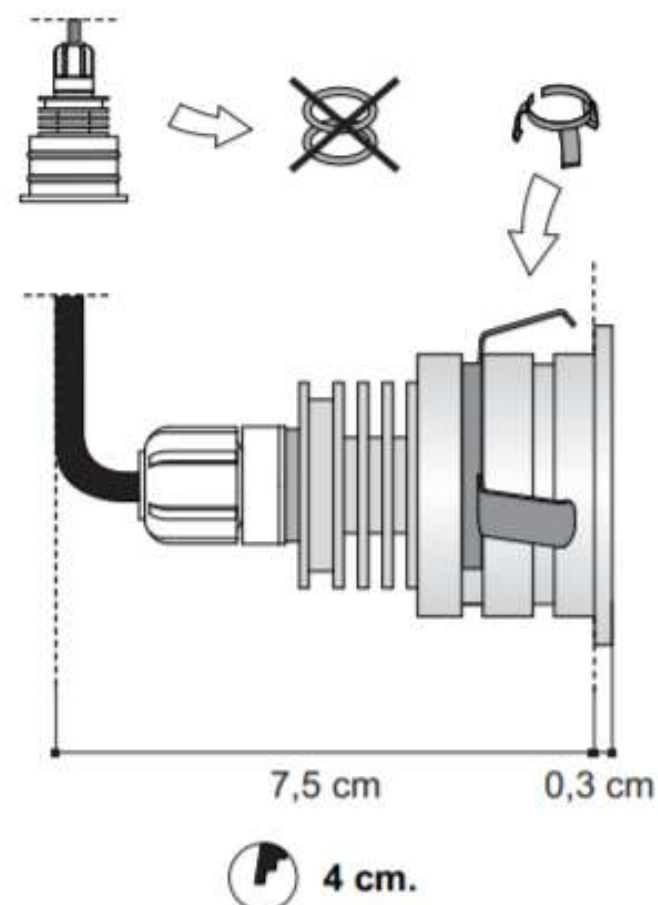


## DIMENSIONS:

Installation in junction box



Installation on plasterboard



## KROSS LIGHT:



### CODE:

6361

### TYPOLOGY:

recessed lamp trampleable

### MATERIALS:

stainless steel AISI 316L

### LIGHT:

marks of light

### BULBS:

/W - LED max 2W 500 mA 209lm 4000K

/WW - LED max 2W 500 mA 199lm 3000K

### IP GRADE:

IP 67

### NET WEIGHT:

0,10 Kg


### FINISHING:

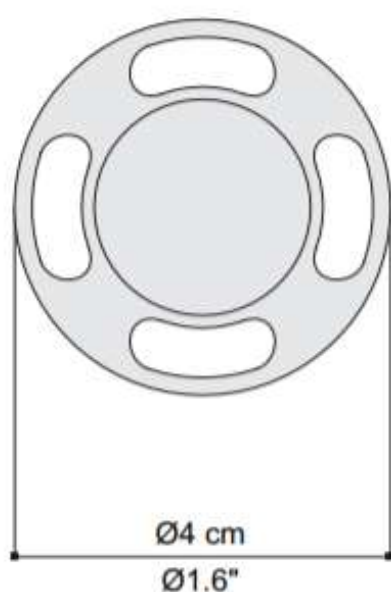
.33 matt steel

.33/B matt steel - blue led

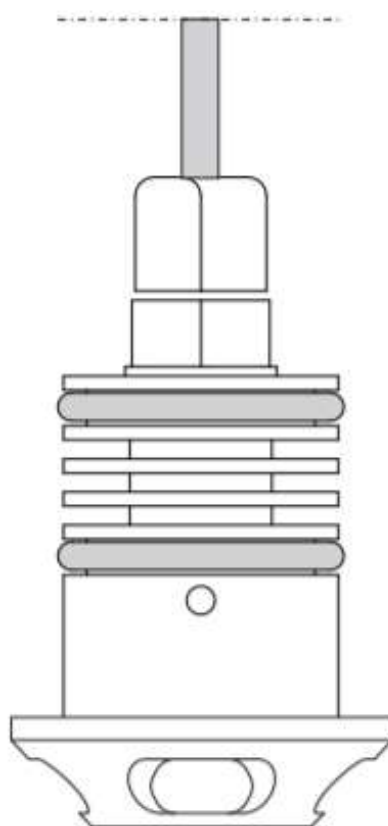


## DIMENSIONS:

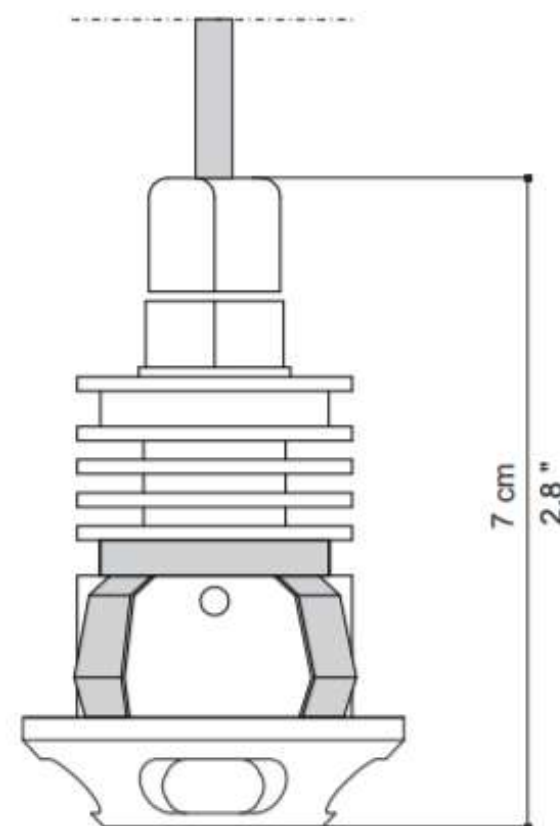
dimensions  
 3 cm.  
 Ø1.2"




**ONLY SERIAL CONNECTION**



Installation in draining junction box  
(IP 67) - art. 0220



Installation on plasterboard

 3,2 cm.  
 Ø1.3"

## ZEPPELIN ORIENTABLE LIGHT:



### CODE:

6411

### TPOLOGY:

adjustable walkover spotlight

### MATERIALS:

stainless steel AISI 316L

### LIGHT:

LED

### BULBS:

/W - 11/25/45(OPTIC degree) LED max 2W 500mA 199lm 3000K

/WW - 11/25/45(OPTIC degree) LED max 2W 500mA 209lm 4000K

### IP GRADE:

IP 67

### NET WEIGHT:

0,22 Kg

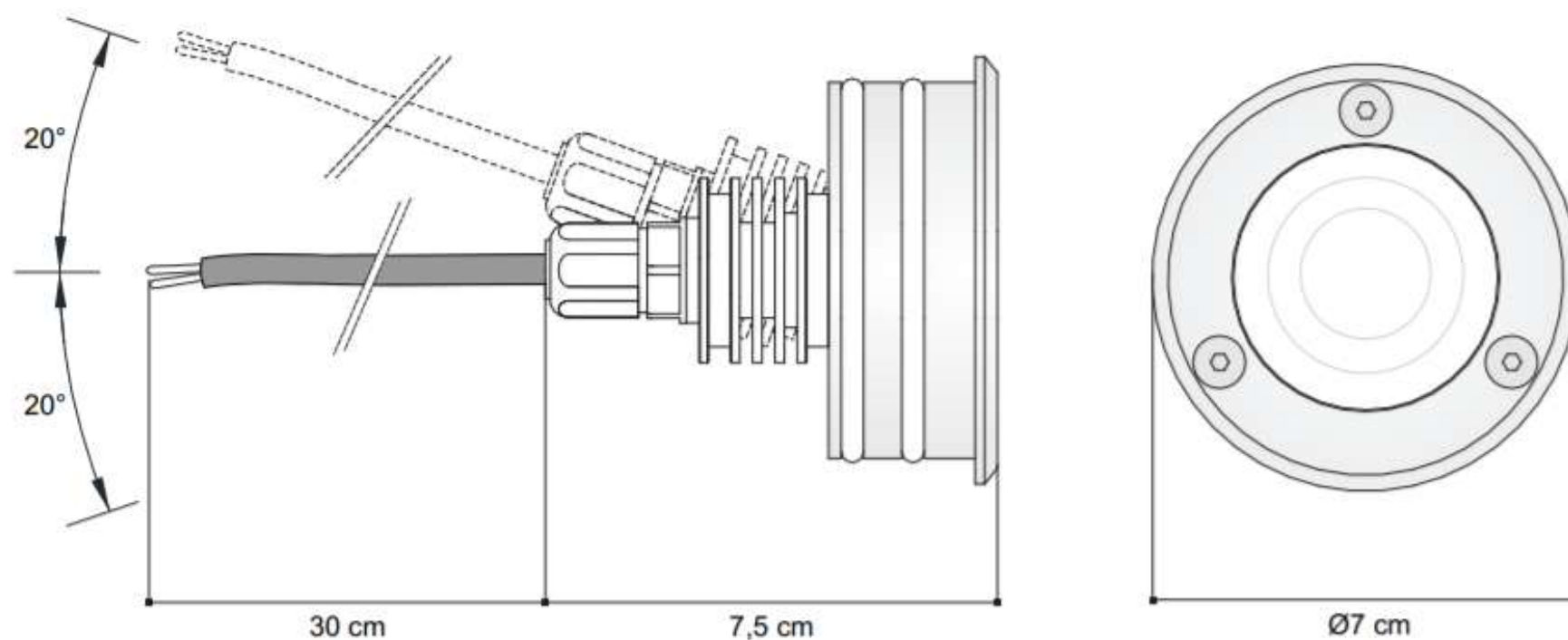
### FINISHING:

.33 matt steel

## DIMENSIONS:



dimensions



**ONLY SERIAL CONNECTION**



## ZEPPELIN 25 PLUS QUADRO LIGHT:



### CODE:

6394

### TPOLOGY:

recessed lamp trampleable

### MATERIALS:

stainless steel AISI 316L

### LIGHT:

direct

### BULBS:

/W - 11/25/45 (OPTIC degree) LED max 2W 500 mA 199lm 3000K

/WW - 11/25/45 (OPTIC degree) LED max 2W 500 mA 209lm 4000K

### IP GRADE:

IP 67

### NET WEIGHT:

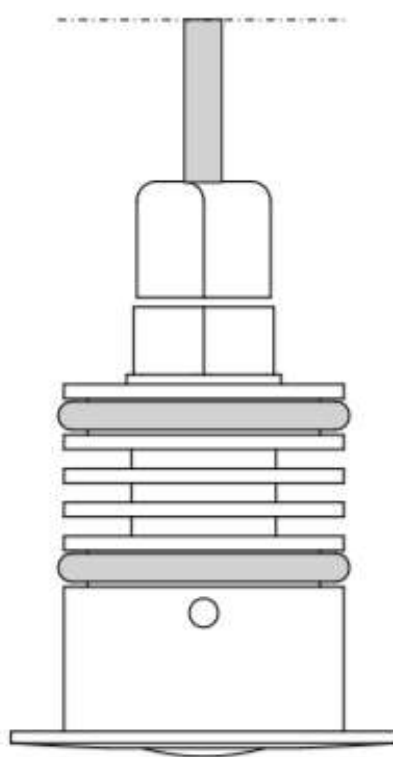
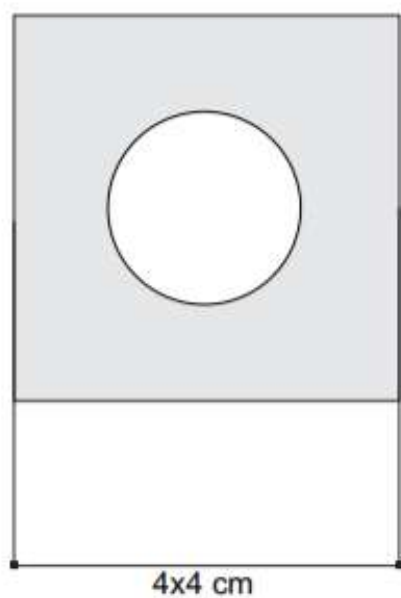
0,10 Kg

### FINISHING:

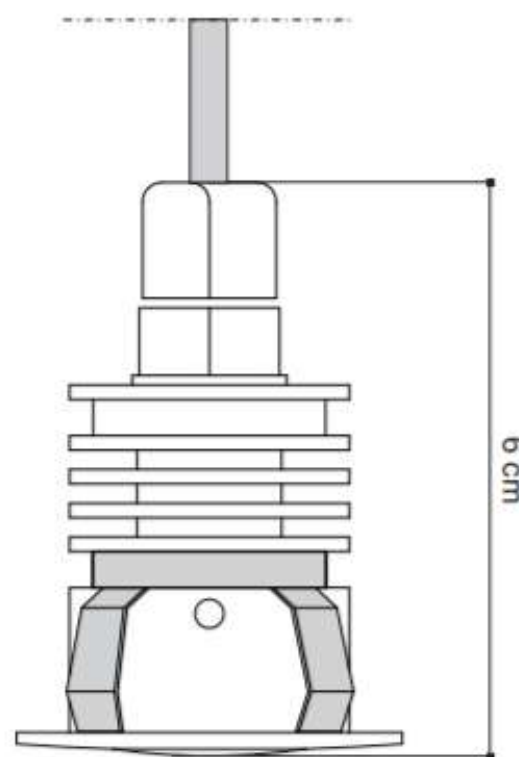
.33 matt steel

## DIMENSIONS:

dimensions



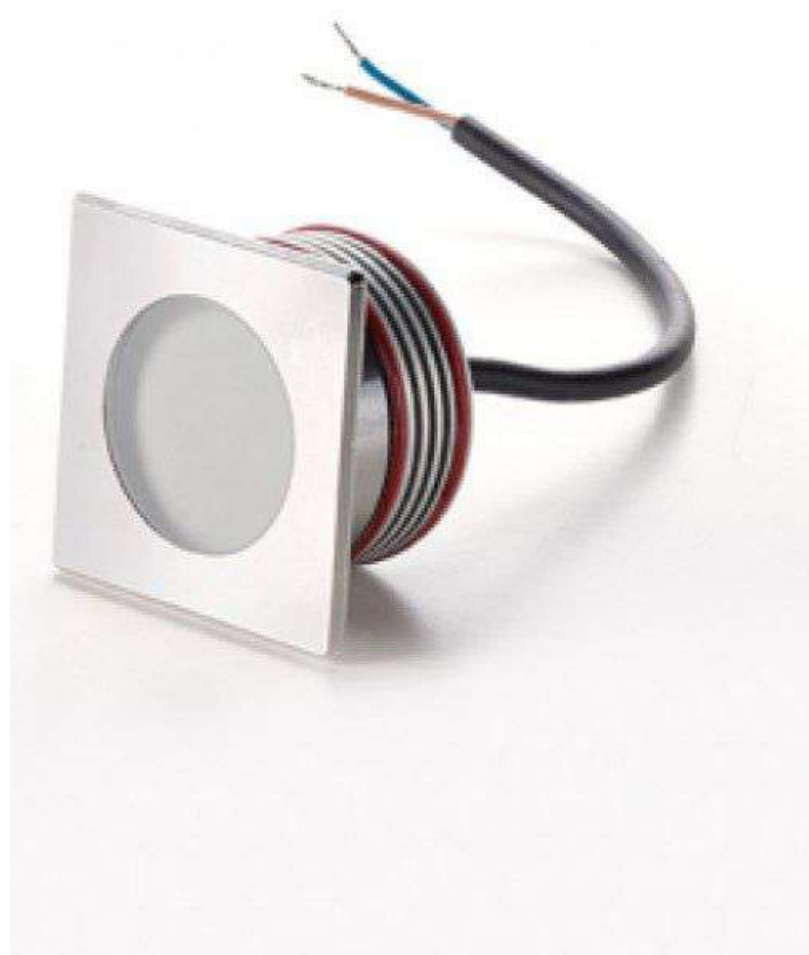
Installation in draining junction box  
(IP 67) - art. 0220



Installation on plasterboard



## ZEPPELIN MAXI QUADRO:



**CODE:**

6383

**TPOLOGY:**

recessed lamp walkover

**MATERIALS:**

stainless steel AISI 316L

**LIGHT:**

diffuse

**BULBS:**

/W - LED max 3x1 W 350mA 453lm 4000K

/WW - LED max 3x1 W 350mA 429lm 3000K

**IP GRADE:**

IP 67

**NET WEIGHT:**

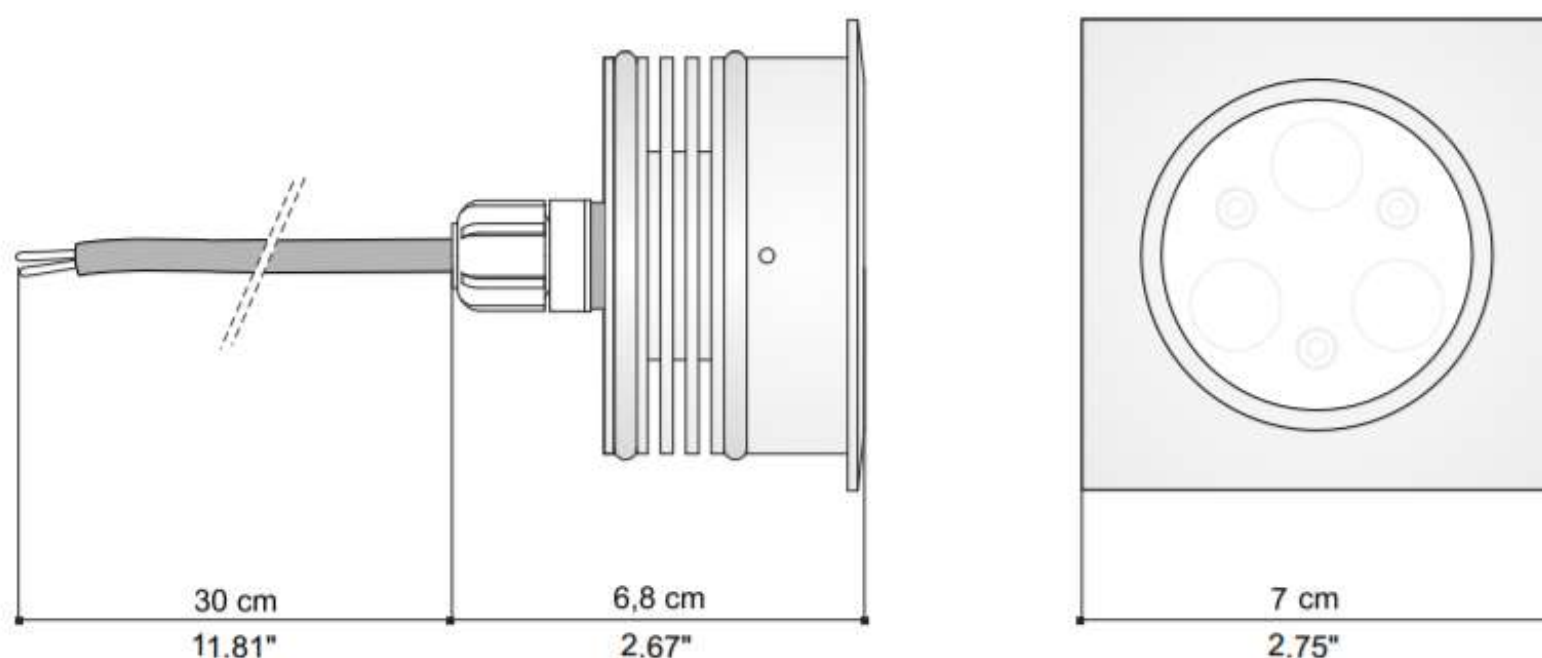
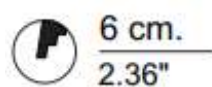
0,40 Kg

**FINISHING:**

.33 matt steel

**DIMENSIONS:**

dimensions



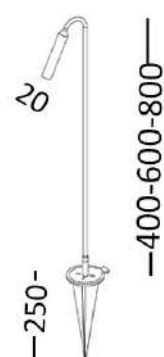
**ONLY SERIAL CONNECTION**

## DRAGONFLY



IP 65

IK 07



### MODEL:

|                |                  |
|----------------|------------------|
| Code           | NOP1H            |
| Product family | Outdoor Lighting |

### TECHNICAL DETAILS:

|                        |                                         |
|------------------------|-----------------------------------------|
| Installation           | into the ground with the supplied spike |
| Class                  | III                                     |
| Power                  | 2 W                                     |
| Luminous flux          | 200 lm                                  |
| LED color              | 2700K, 3000K                            |
| Resistance to breakage | IK 07                                   |
| Protection degree      | IP 65                                   |
| Material               | stainless steel AISI 316L               |
| Weight                 | 1, 1,5, 1,7 kg                          |
| Optics                 | 30°                                     |
| Driver                 | not included                            |
| Cables                 | wired with 3 m H05RNF                   |
| Diffuser               | transparent                             |
| Optional accessories   | drivers 500 mA                          |
| Supply                 | 500mA                                   |

It respects the laws against lighting pollution  
Spike fixing to be put into the ground

### COLORS:



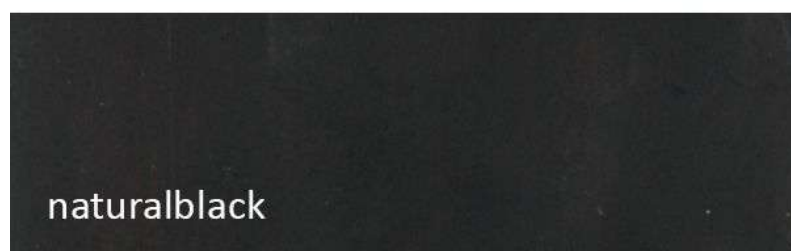
.IN

Inox



.BT

Browntech



.NB

Natural Black