

MUSCARI PLANTER



BODY:

Muscari Planters are made from 100% recycled plastic. They are weather and rot-resistant, heavy-duty yet easy to install. The Muscari Planters are maintenance-free and resistant to oils, brines, acids, and saltwater. They are comparatively lightweight, meaning no heavy equipment is required for installation. Planters need to be tough, especially if they're intended to beautify public spaces. Not only can weather, birds, animals and the plants themselves take their toll, they can often be the targets for vandalism. The Muscari is especially solid and substantial. Available in three colours: Brown, Grey and Black.



DIMENSIONS:

Dimensions	(LxWxH): 130 x 60 x 50 cm
Completely assembled.	
Measurements are outside dimensions.	
Other sizes are available on request.	
Side profile:	9 x 9 cm
Base:	2 cm thick
Support posts:	12 x 16 cm
Plinth height:	8 cm
3 different colours:	.Br (brown), .Gr (grey), .Bl (black)

HOW TO ORDER:

NAME OF THE PLANTER:

SIZE:

NAME OF THE LIGHT:

QUANTITY OF LIGHTS:

POSITIONING OF LIGHT:

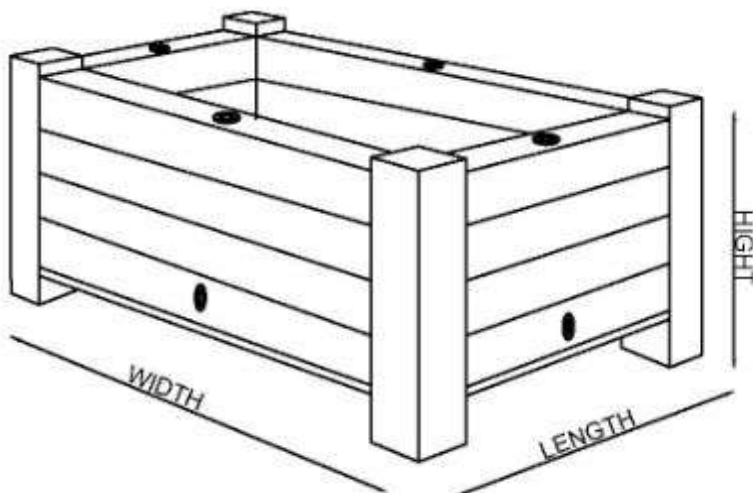
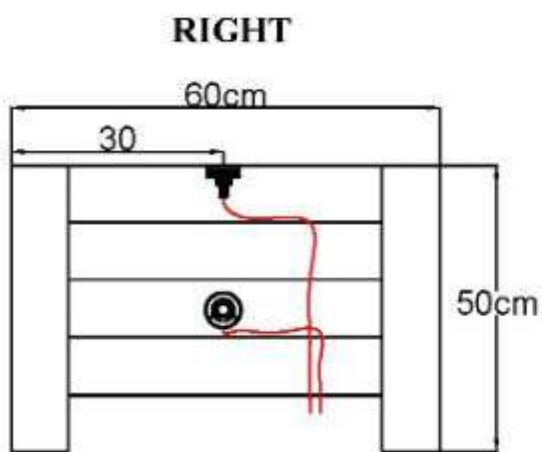
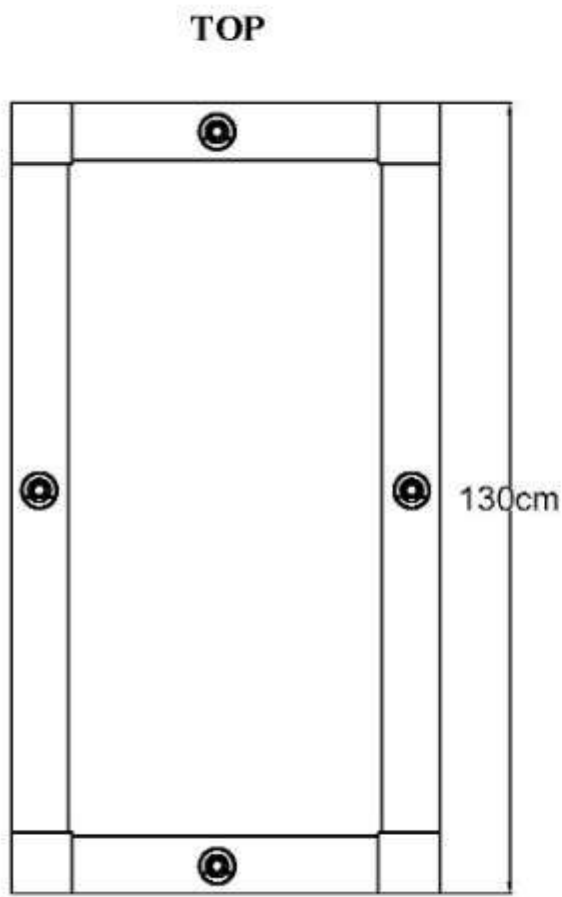
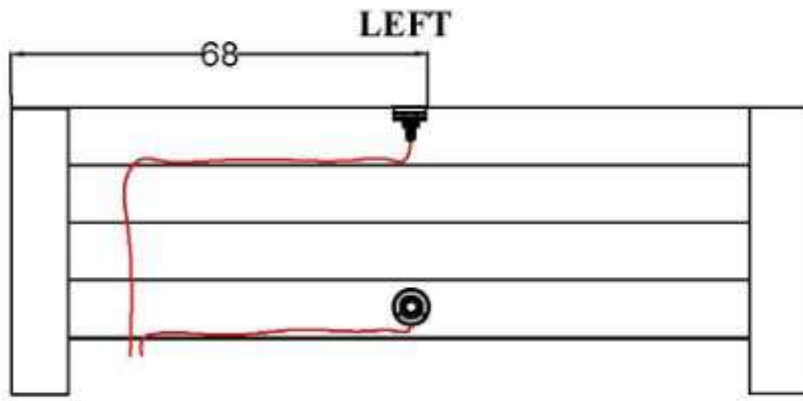
FOR EXAMPLE: Muscari planter / custom size / KROSS light / 8 lights / 1 light on each side of the planter + 4 at the top

NOTE: On the next pages the description of the lights and positioning of them is given.





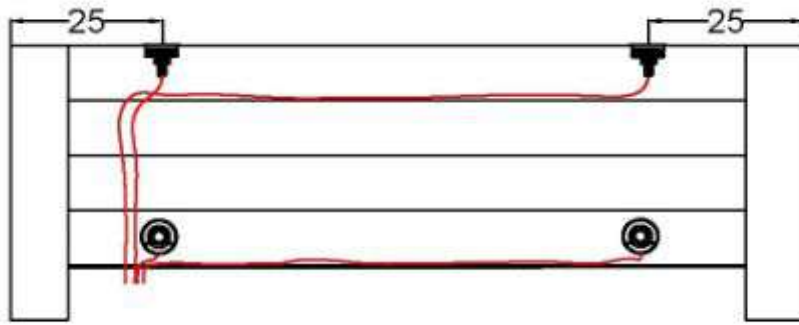
EXAMPLES OF POSITIONING OF LIGHTS:



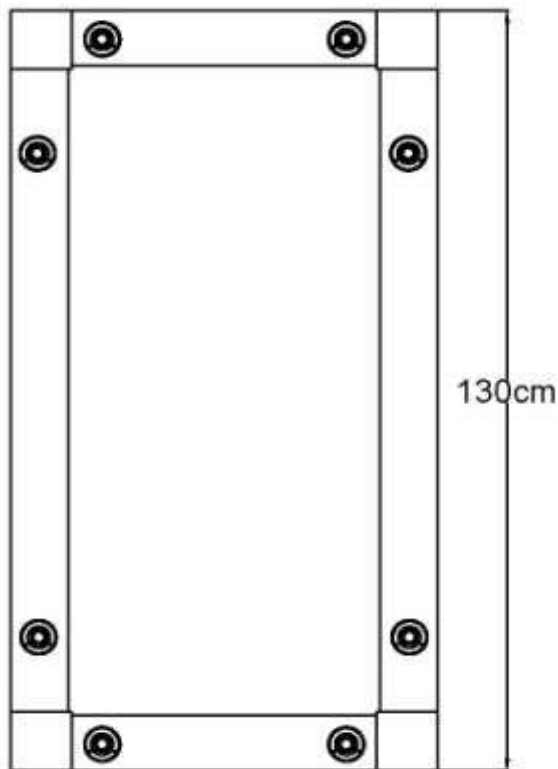


EXAMPLES OF POSITIONING OF LIGHTS:

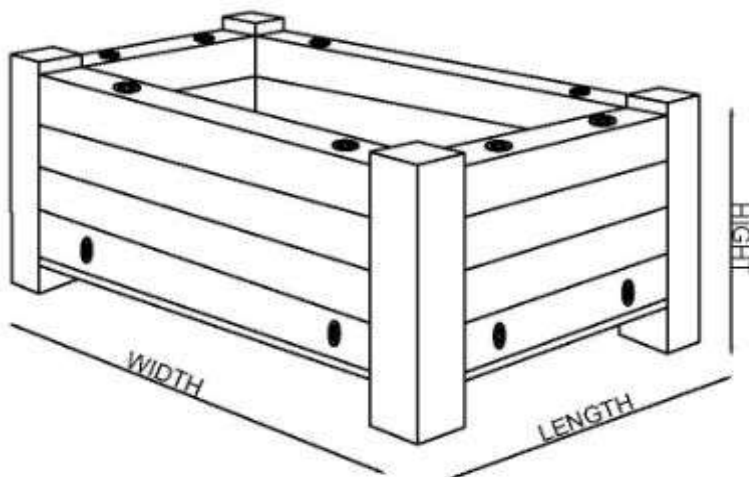
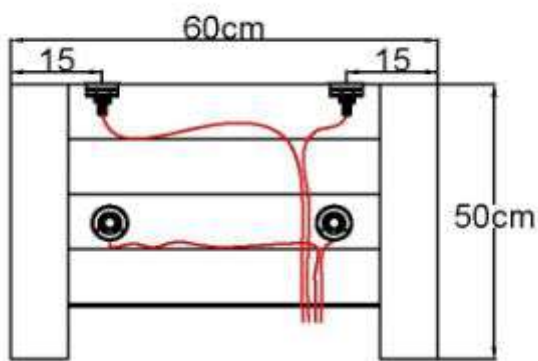
LEFT



TOP

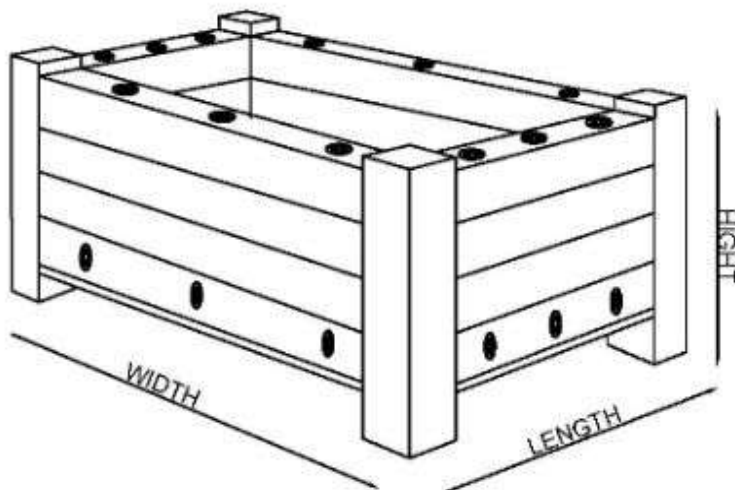
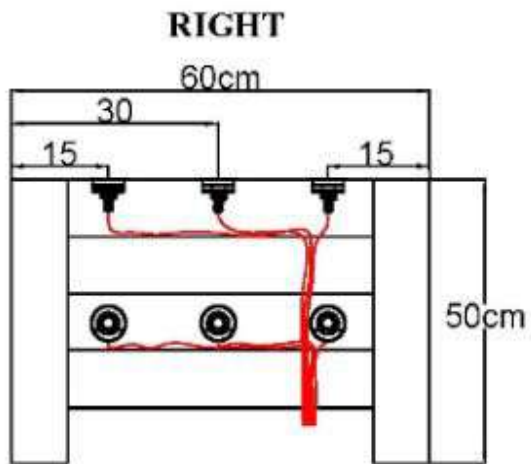
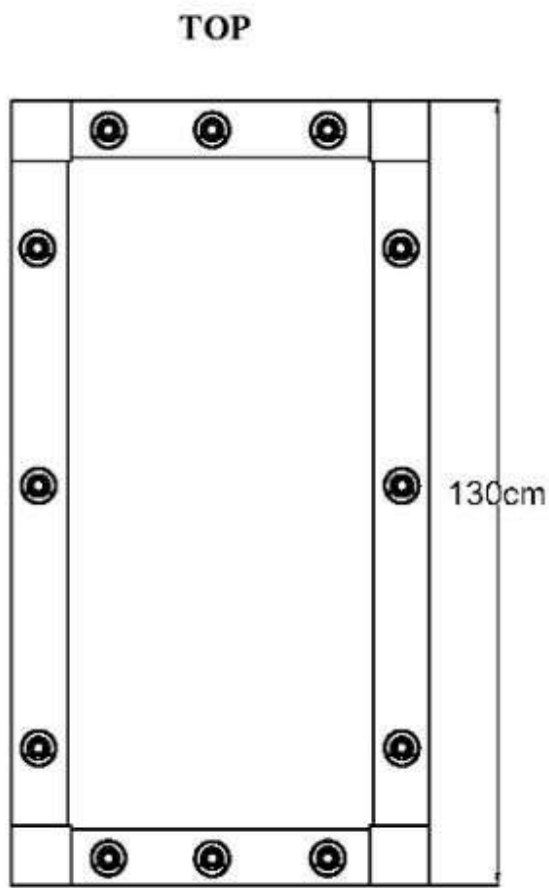
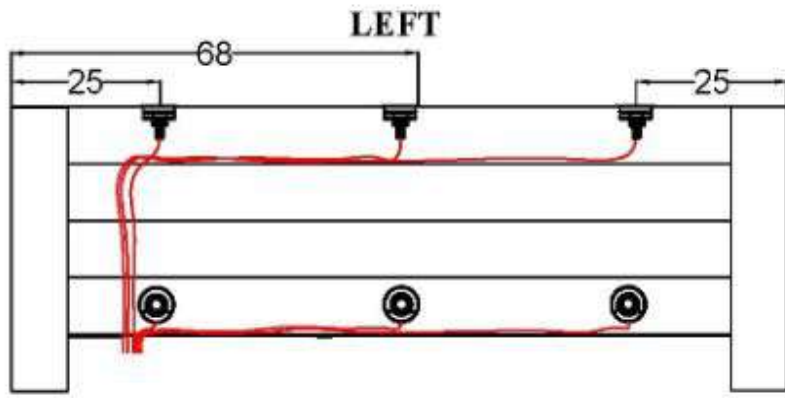


RIGHT





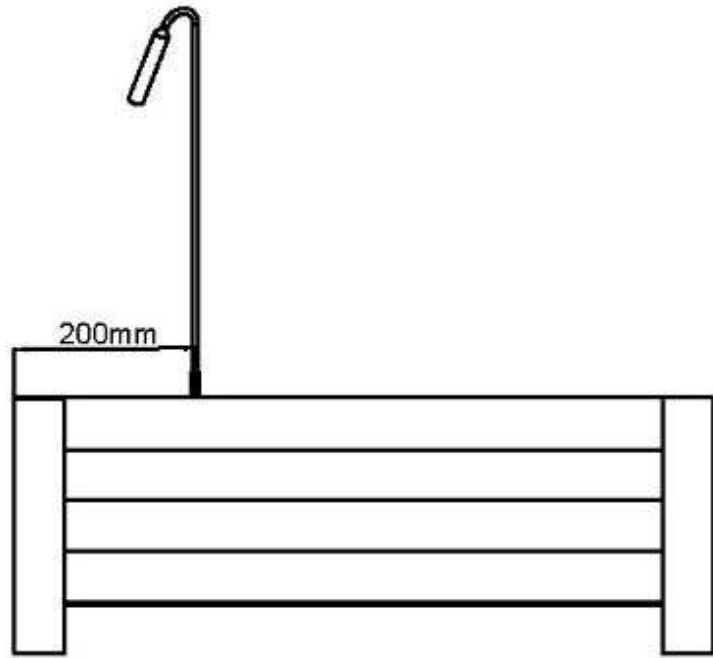
EXAMPLES OF POSITIONING OF LIGHTS:



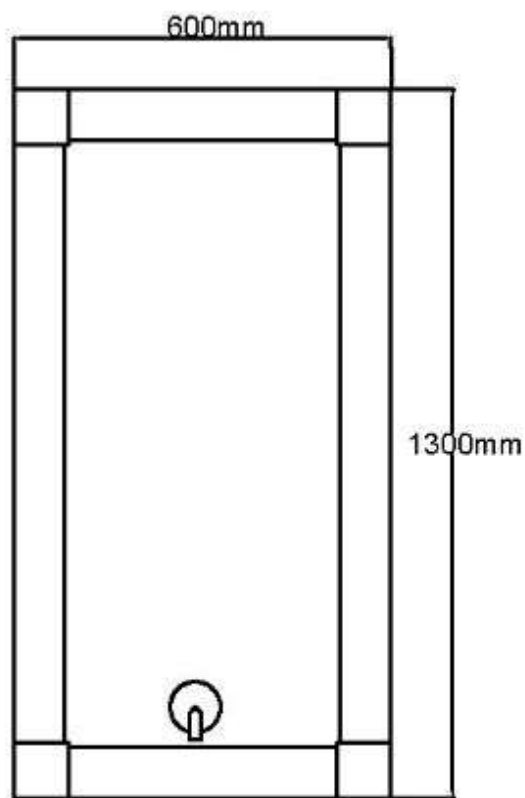


EXAMPLES OF POSITIONING OF LIGHTS:

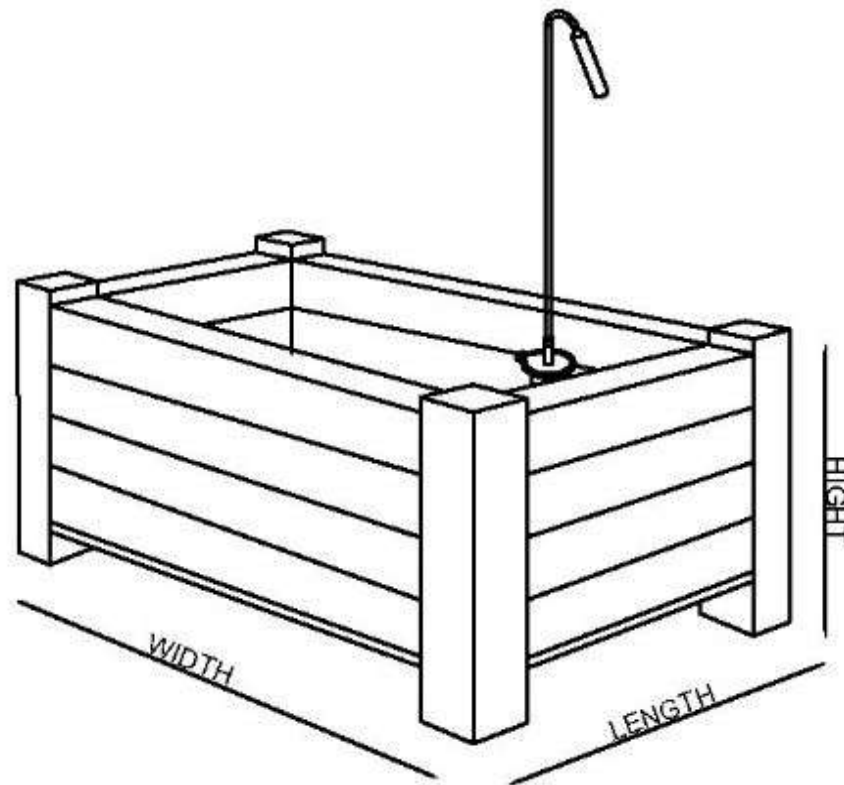
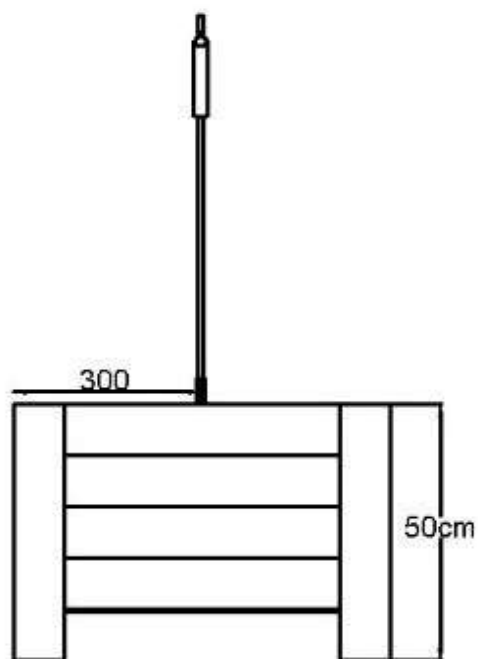
LEFT



TOP

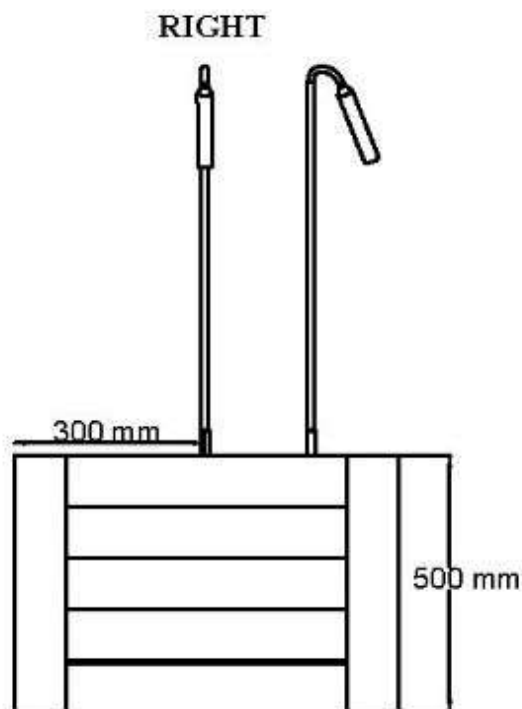
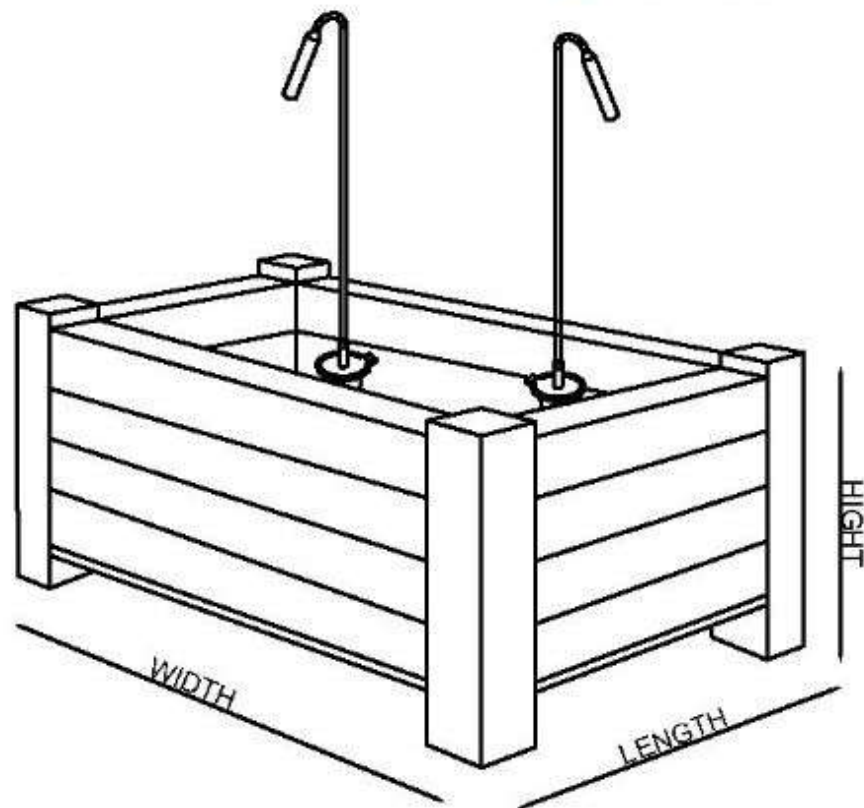
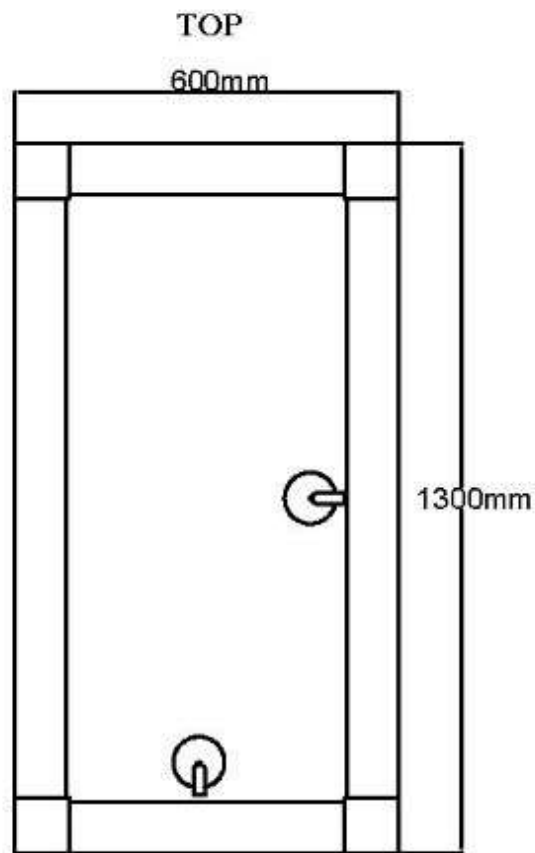
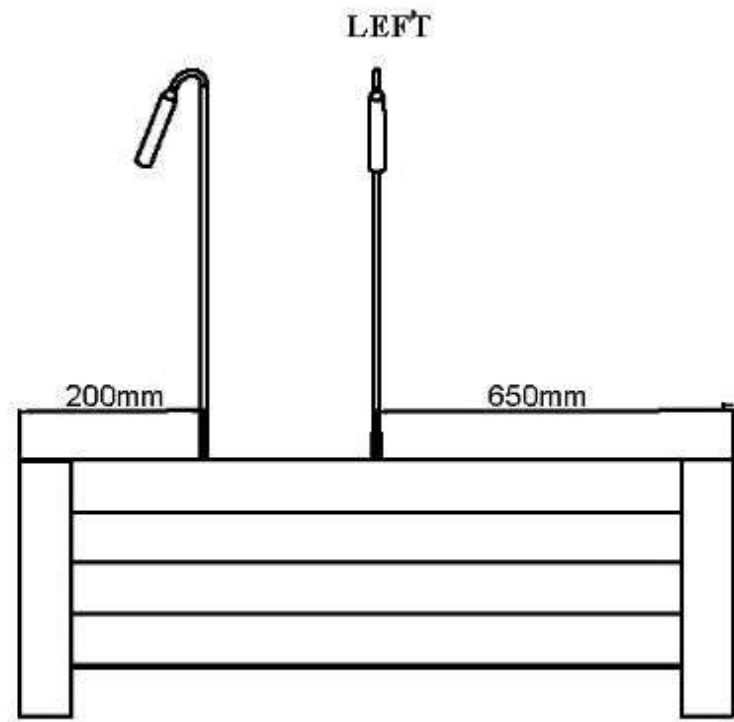


RIGHT

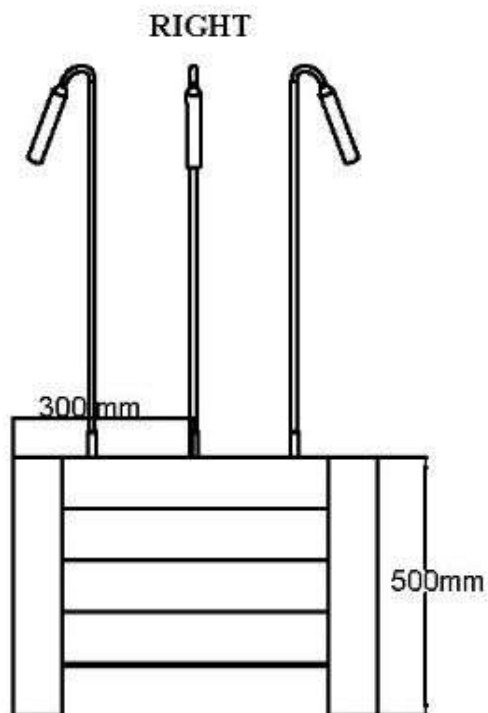
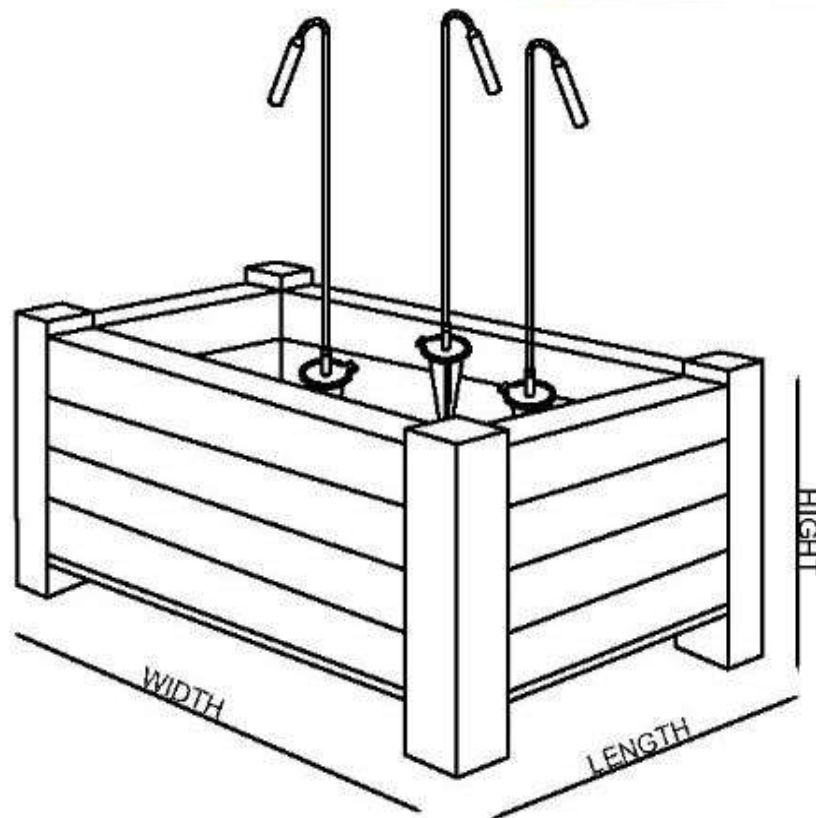
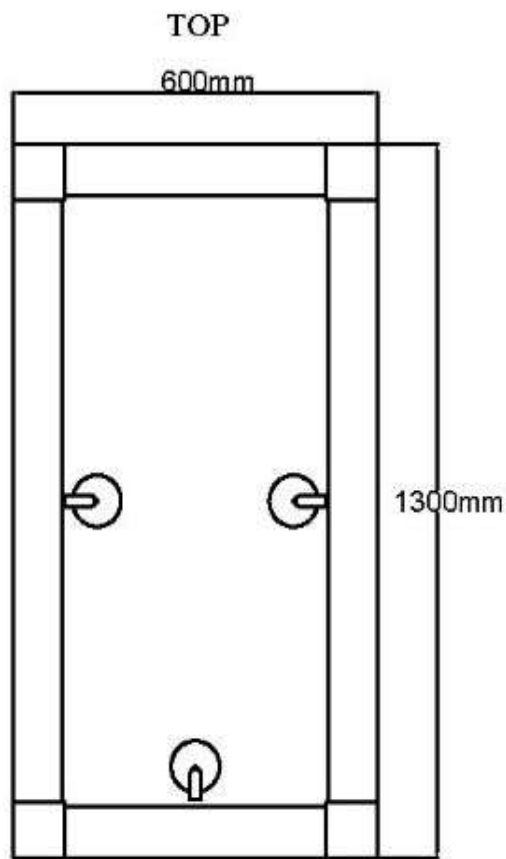
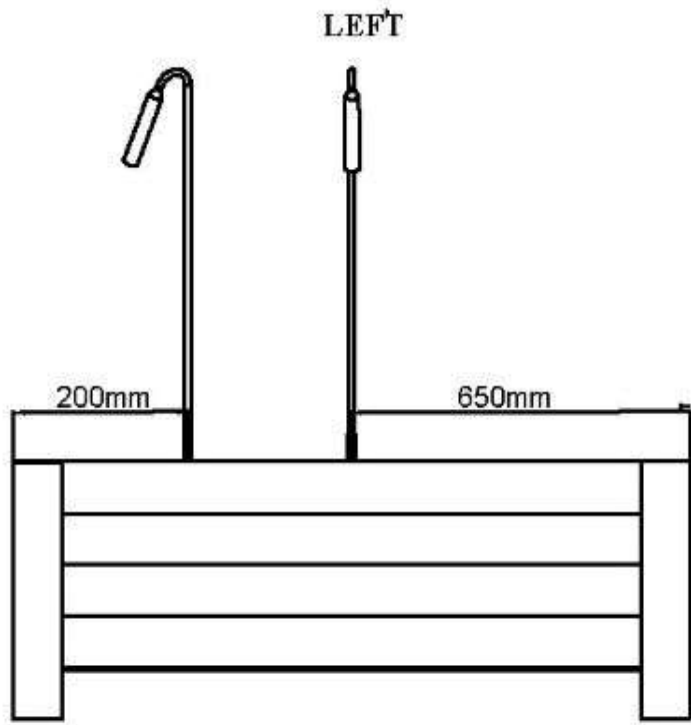




EXAMPLES OF POSITIONING OF LIGHTS:

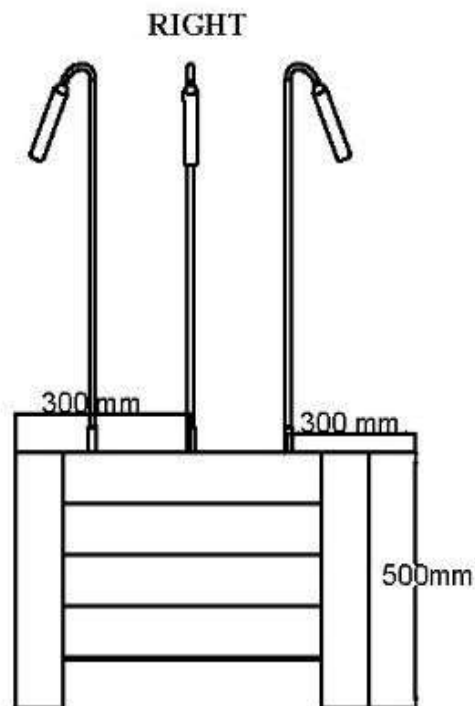
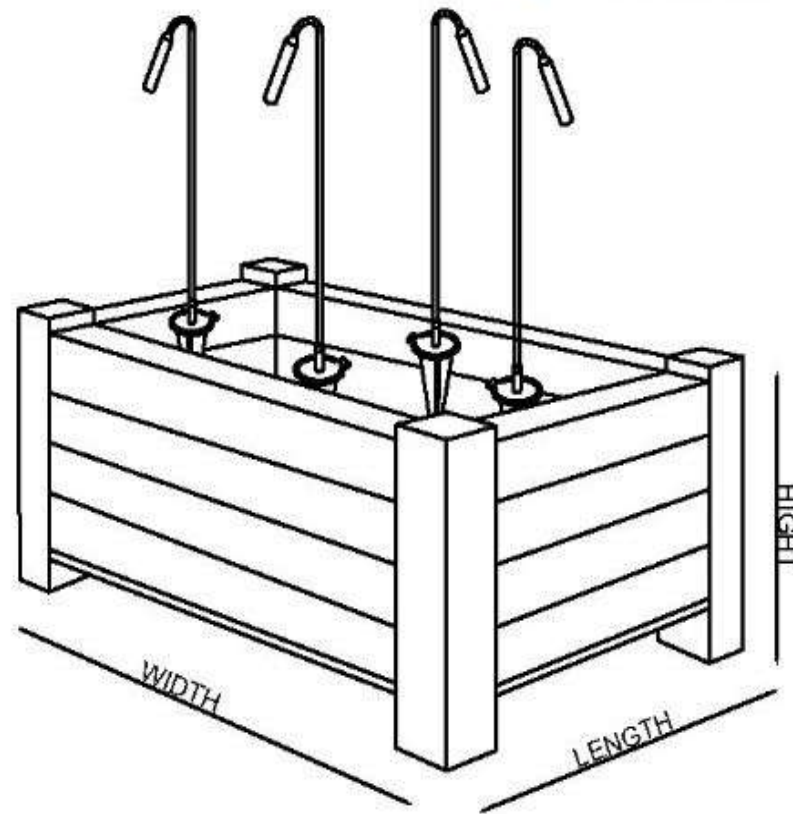
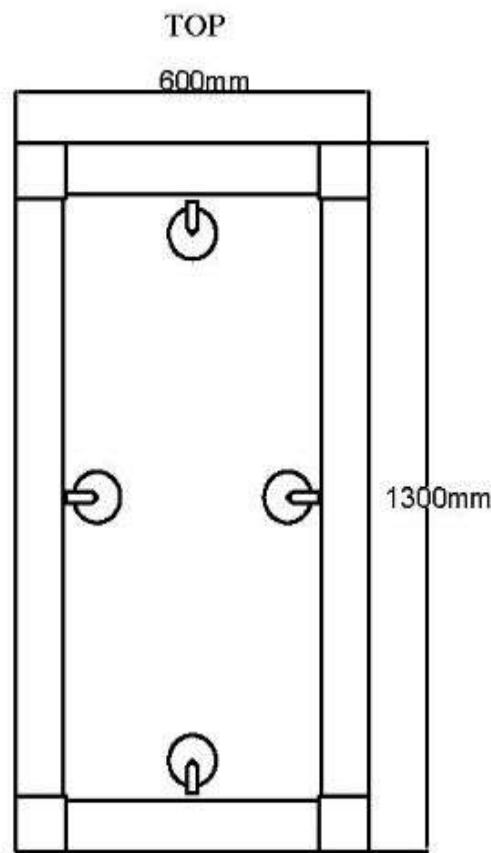
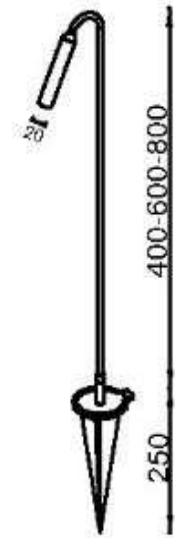
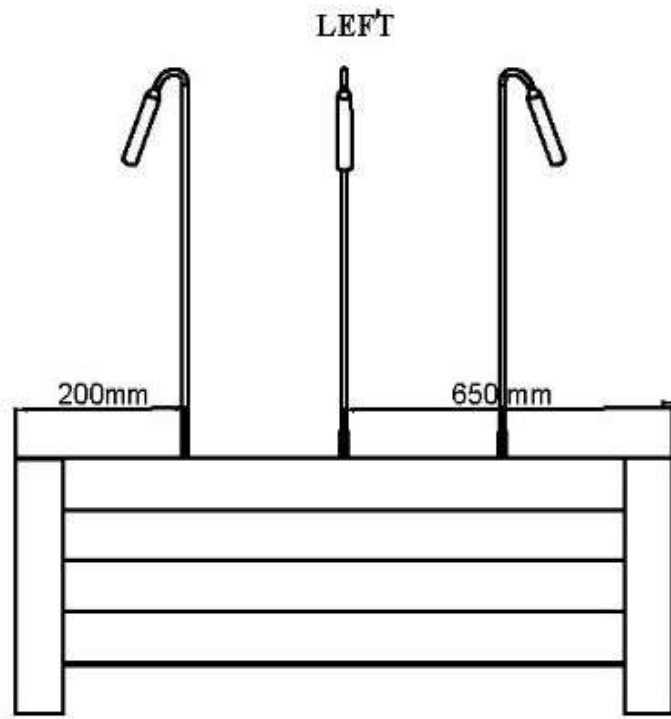


EXAMPLES OF POSITIONING OF LIGHTS:





EXAMPLES OF POSITIONING OF LIGHTS:



CERCHIO LIGHT:

CODE:

6389

TPOLOGY:

walkover recessed spot

MATERIALS:

stainless steel AISI 316L

LIGHTS:

LED

BULBS:

/W - LED max 2W 500 mA 209lm 4000K

/WW - LED max 2W 500 mA 199lm 3000K

IP GRADE:

IP 67

NET WEIGHT:

0,20 Kg

FINISHING:

.33 MATT STEEL



33. W

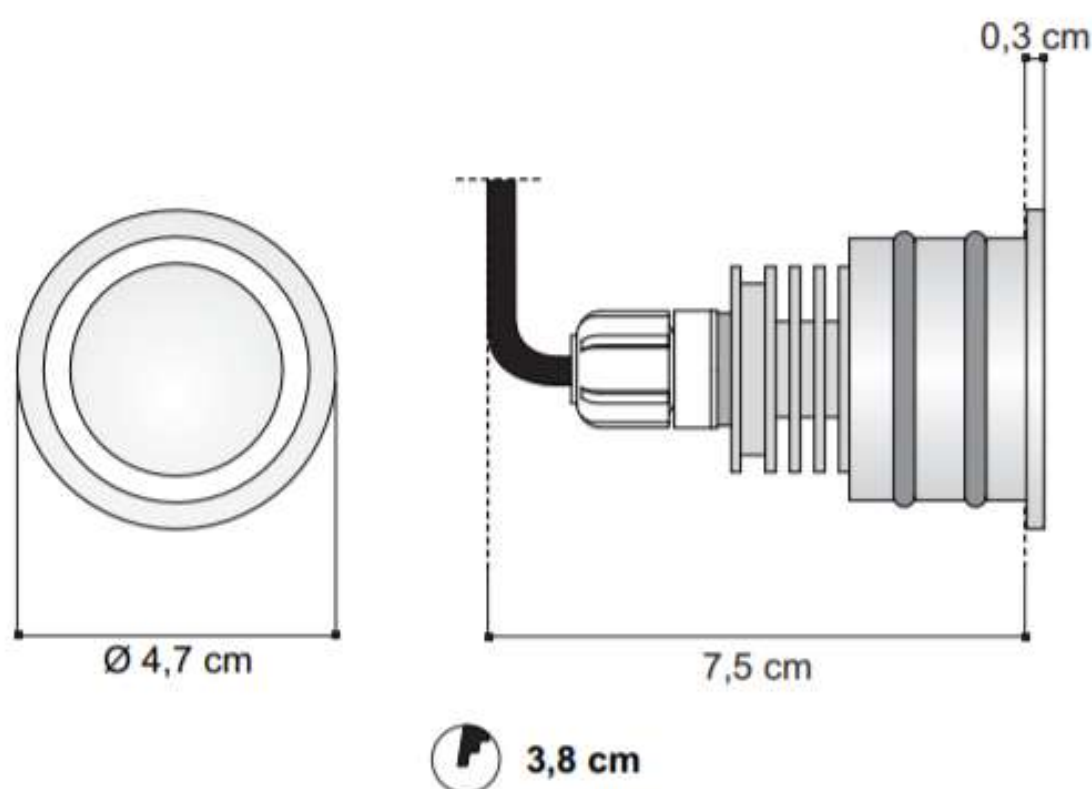


33. B

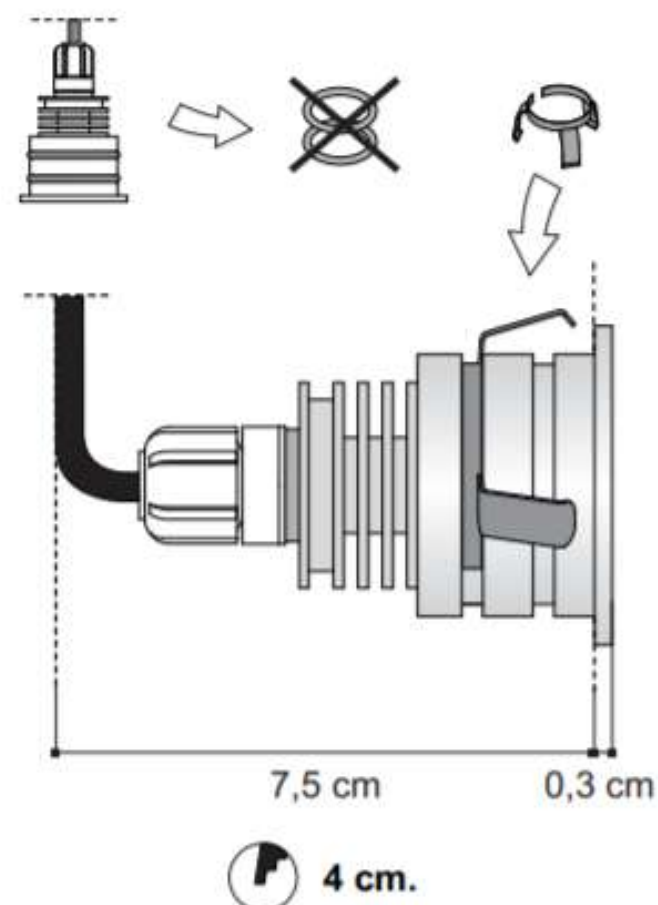


DIMENSIONS:

Installation in junction box



Installation on plasterboard



KROSS LIGHT:



CODE:

6361

TYPOLOGY:

recessed lamp trampleable

MATERIALS:

stainless steel AISI 316L

LIGHT:

marks of light

BULBS:

/W - LED max 2W 500 mA 209lm 4000K

/WW - LED max 2W 500 mA 199lm 3000K

IP GRADE:

IP 67

NET WEIGHT:

0,10 Kg


FINISHING:

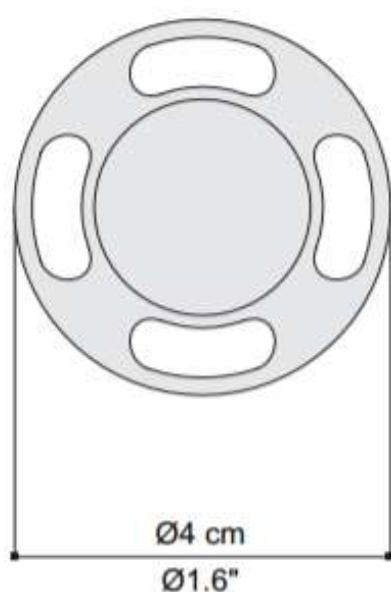
.33 matt steel

.33/B matt steel - blue led

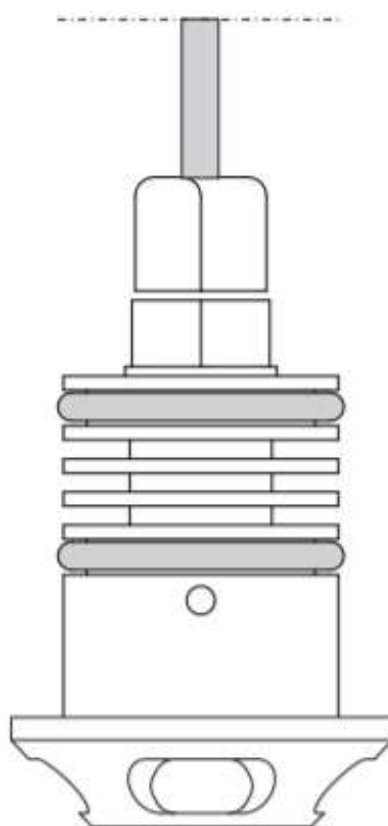


DIMENSIONS:

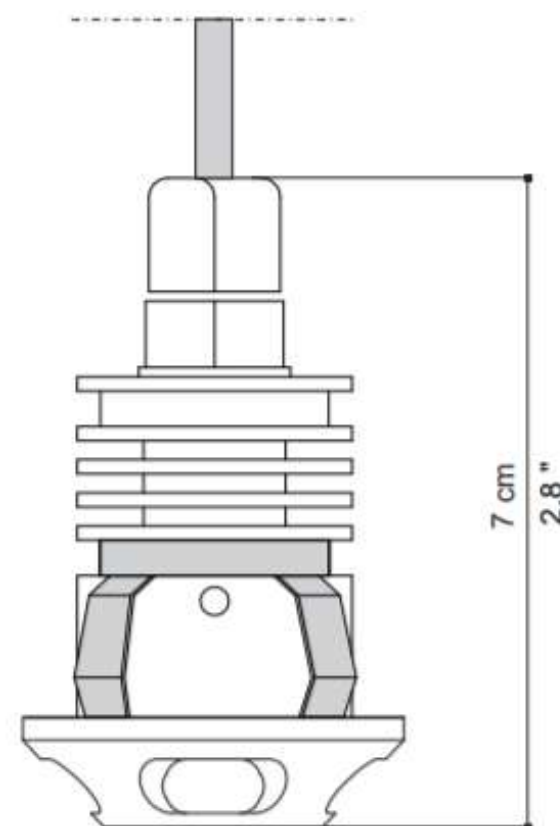
dimensions
 3 cm.
 Ø1.2"




ONLY SERIAL CONNECTION



Installation in draining junction box
(IP 67) - art. 0220



Installation on plasterboard

 3,2 cm.
 Ø1.3"

ZEPPELIN ORIENTABLE LIGHT:



CODE:

6411

TPOLOGY:

adjustable walkover spotlight

MATERIALS:

stainless steel AISI 316L

LIGHT:

LED

BULBS:

/W - 11/25/45(OPTIC degree) LED max 2W 500mA 199lm 3000K

/WW - 11/25/45(OPTIC degree) LED max 2W 500mA 209lm 4000K

IP GRADE:

IP 67

NET WEIGHT:

0,22 Kg

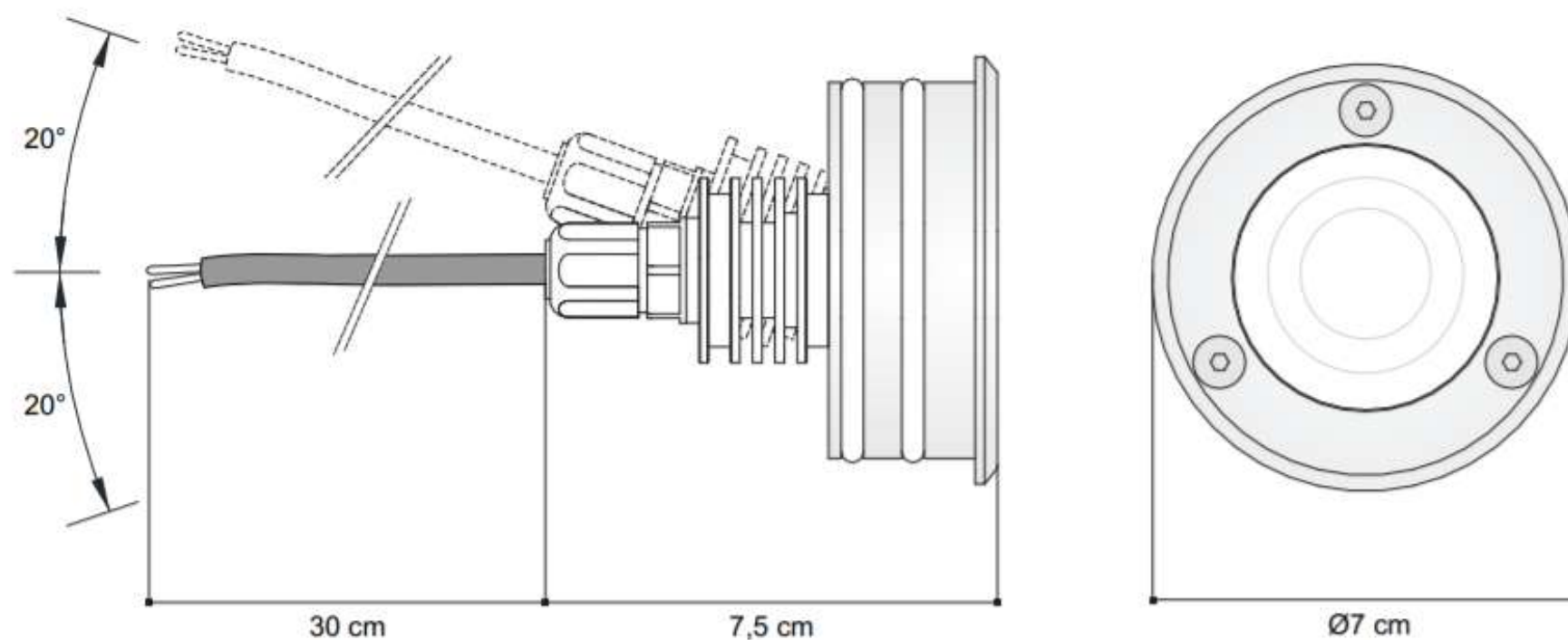
FINISHING:

.33 matt steel

DIMENSIONS:



dimensions



ONLY SERIAL CONNECTION

ZEPPELIN 25 PLUS QUADRO LIGHT:



CODE:

6394

TPOLOGY:

recessed lamp trampleable

MATERIALS:

stainless steel AISI 316L

LIGHT:

direct

BULBS:

/W - 11/25/45 (OPTIC degree) LED max 2W 500 mA 199lm 3000K

/WW - 11/25/45 (OPTIC degree) LED max 2W 500 mA 209lm 4000K

IP GRADE:

IP 67

NET WEIGHT:

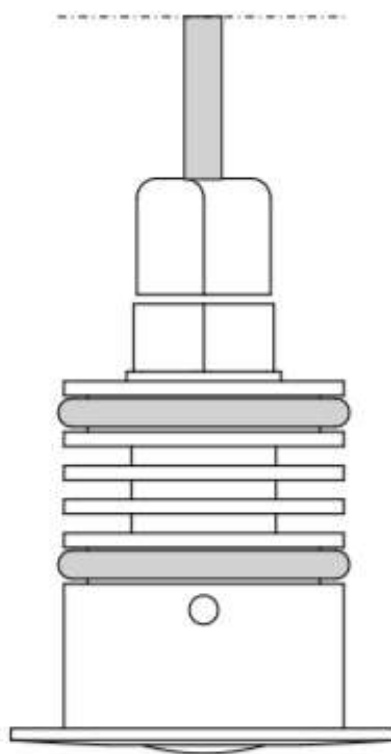
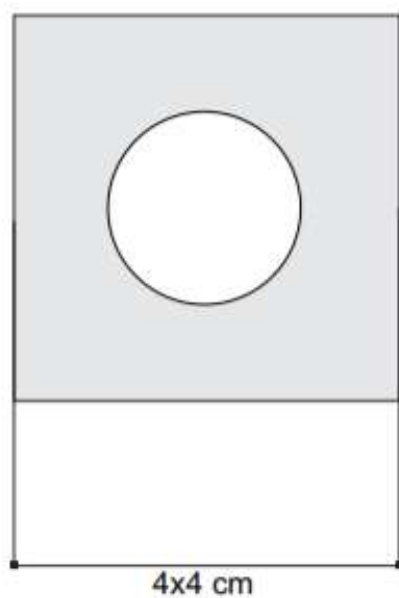
0,10 Kg

FINISHING:

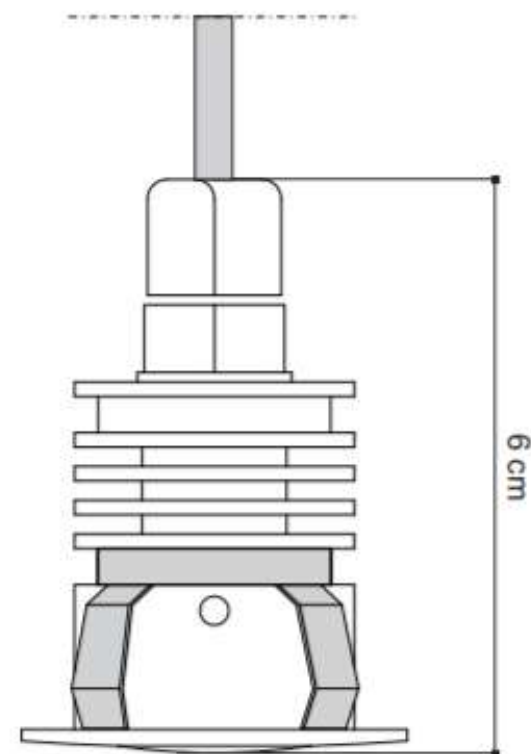
.33 matt steel

DIMENSIONS:

dimensions



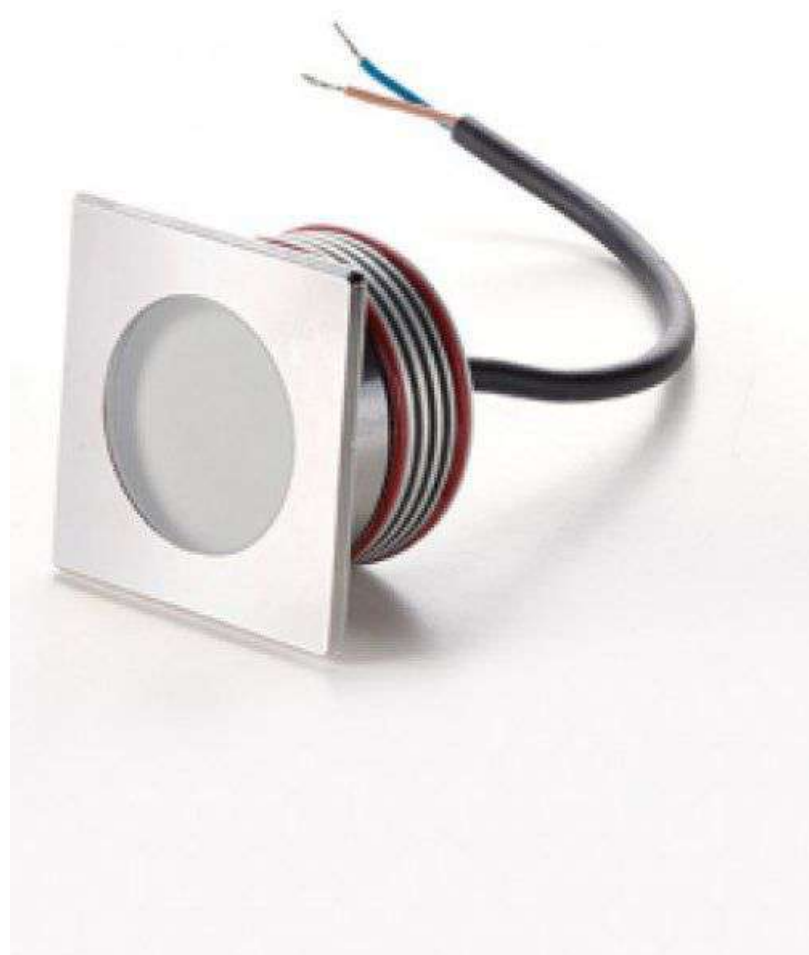
Installation in draining junction box
(IP 67) - art. 0220



Installation on plasterboard



ZEPPELIN MAXI QUADRO:



CODE:

6383

TPOLOGY:

recessed lamp walkover

MATERIALS:

stainless steel AISI 316L

LIGHT:

diffuse

BULBS:

/W - LED max 3x1 W 350mA 453lm 4000K

/WW - LED max 3x1 W 350mA 429lm 3000K

IP GRADE:

IP 67

NET WEIGHT:

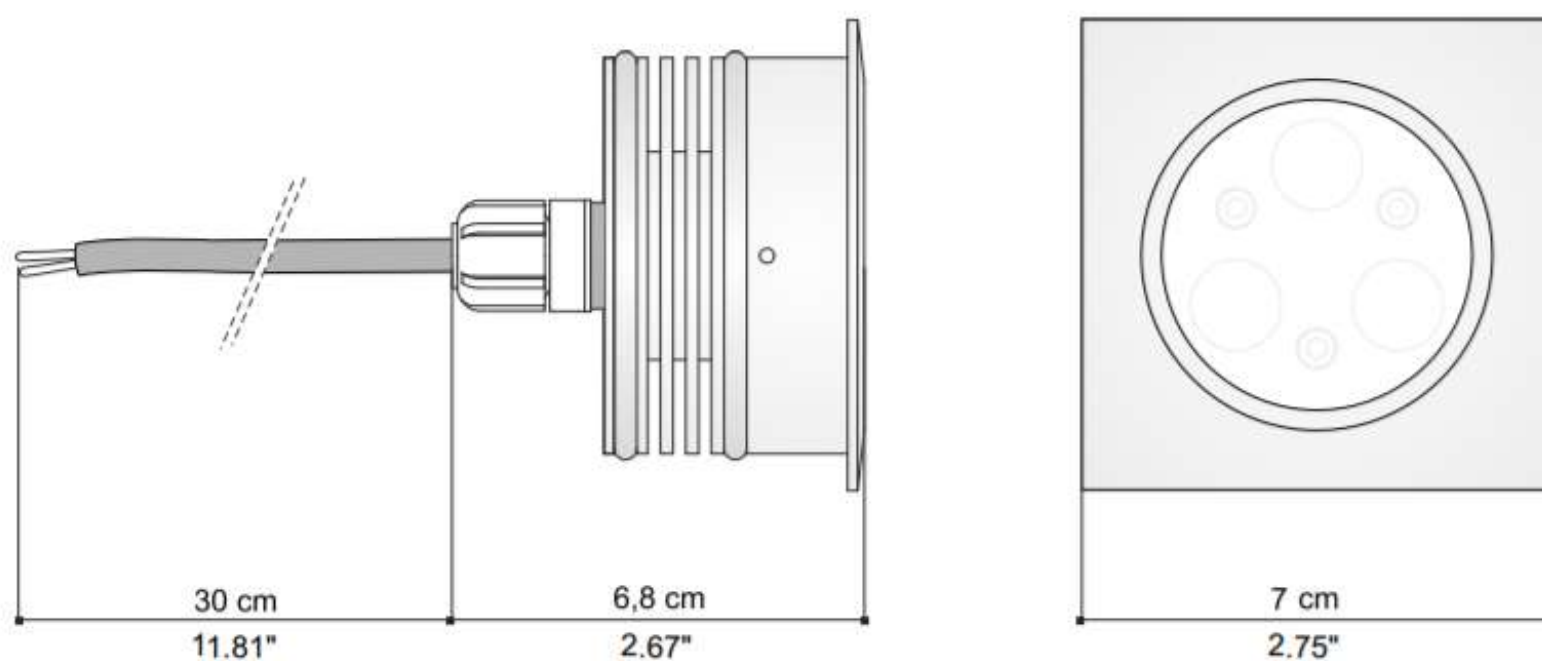
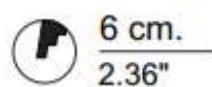
0,40 Kg

FINISHING:

.33 matt steel

DIMENSIONS:

dimensions



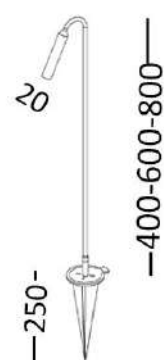
ONLY SERIAL CONNECTION

DRAGONFLY



IP 65

IK 07



MODEL:

Code	NOP1H
Product family	Outdoor Lighting

TECHNICAL DETAILS:

Installation	into the ground with the supplied spike
Class	III
Power	2 W
Luminous flux	200 lm
LED color	2700K, 3000K
Resistance to breakage	IK 07
Protection degree	IP 65
Material	stainless steel AISI 316L
Weight	1, 1,5, 1,7 kg
Optics	30°
Driver	not included
Cables	wired with 3 m H05RNF
Diffuser	transparent
Optional accessories	drivers 500 mA
Supply	500mA

It respects the laws against lighting pollution
Spike fixing to be put into the ground

COLORS:



.IN

Inox



.BT

Browntech



.NB

Natural Black