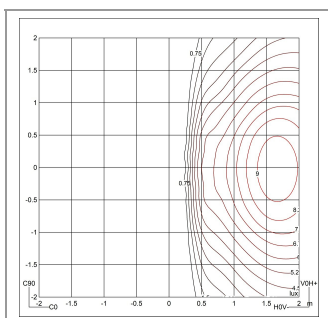
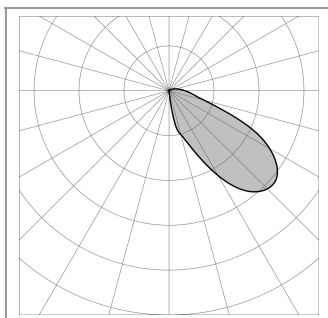
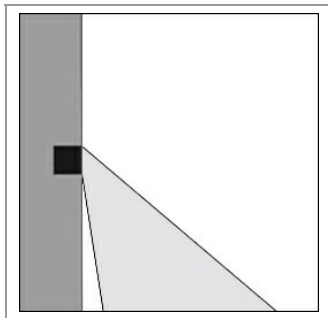
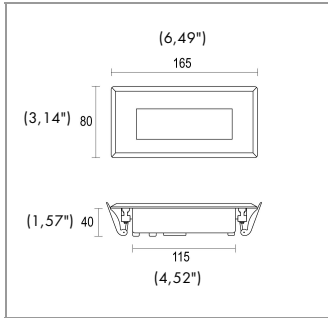
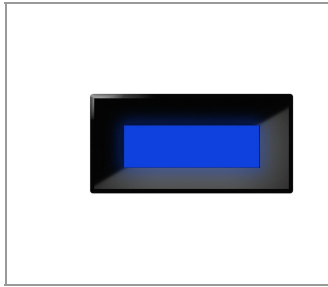


CONSTRUCTIVE & DIMENSIONAL:

Application field:	Series of recessed wall luminaires with reduced recessed depth
Construction material:	Die-cast aluminum EN AB 44100 highly resistant to oxidation
Rough in housing:	Thermoplastic to be ordered separately
Gaskets:	Silicone gaskets
Cutout shape:	Rectangular
Length [mm]:	165(6,49")
Width [mm]:	80(3,14")
Height / Projection [mm]:	5(0,19")
Recessed depth [mm]:	55(2,16")



ELECTRICAL:

Description and Model Code:	GH1603.BGATBLUEN	1 x 4 W LED BLUE 1 x 204 lm
-----------------------------	------------------	-----------------------------

Operating Power:	110-277 V - 50/60 Hz
Number of heads:	1
Number of circuits:	1
Driver positioning:	Integral
Luminaire efficiency [lm/W]:	27.65
Fixture consumption:	5.33 W
Control gear type:	Electronic
Dimmer type:	Not dimmable
Cable type:	H05RN-F 3x1mm2
Daisy chain wiring:	External to the luminaire with IP68 connector available as an accessory
Emergency:	Not available
Cord length [m]:	0.2
Ambient temperature operating range [°C]:	-20 °C ÷ +45 °C

OPTICAL:

Beam angle [°]	97° x 96° x 40°
Light distribution	Other
Beam directionability	Fixed optics
Diffuser material	Sodium-calcium tempered glass 5mm(0,19")
Diffuser finish	Transparent - extra clear

LIGHTING SOURCE for model GH1603.BGATBLUEN

Light source	LED
Type of bulb or LED	LED
Light source [W]	4 W
Nominal LED emission [Lm]	204 lm
Color temperature	BLUE
Life Time LED [t]	60.000h - L80 - B10
LED voltage range [V]	6V
Current	350 mA
Luminaire emission [lm]	1 x 147
LED / Bulb	Included

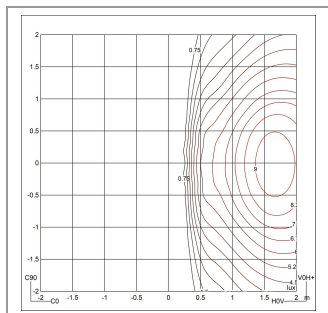
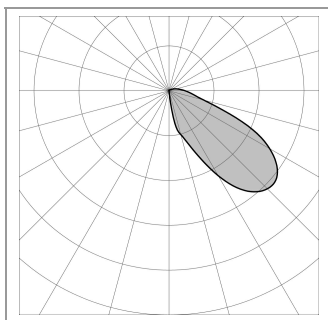
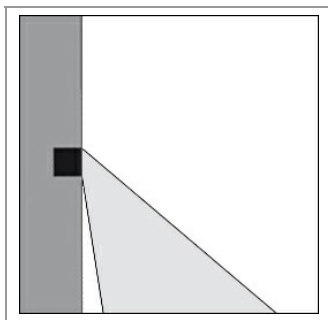
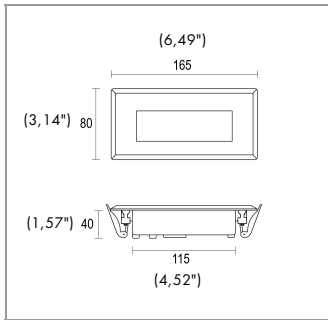
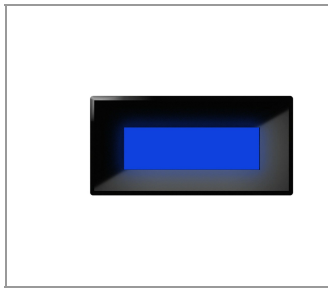
FINISH CODE:

- .V1 White Glass
- .V2 Black Glass



CONSTRUCTIVE & DIMENSIONAL:

Application field:	Series of recessed wall luminaires with reduced recessed depth
Construction material:	Die-cast aluminum EN AB 44100 highly resistant to oxidation
Rough in housing:	Thermoplastic to be ordered separately
Gaskets:	Silicone gaskets
Cutout shape:	Rectangular
Length [mm]:	165(6,49")
Width [mm]:	80(3,14")
Height / Projection [mm]:	5(0,19")
Recessed depth [mm]:	55(2,16")



ELECTRICAL:

Description and Model Code:	GH1603.BGATBLUEL	1 x 4 W LED BLUE 1 x 204 lm
Operating Power:	24 V DC	
Control gear:	24 V DC not included	
Number of heads:	1	
Number of circuits:	1	
Driver positioning:	Remote	
Luminaire efficiency [lm/W]:	27.65	
Fixture consumption:	5.33 W	
Control gear type:	Electronic	
Dimmer type:	Dimmable based on driver used	
Cable type:	H05RN-F 3x1 mm2	
Daisy chain wiring:	External to the luminaire with IP68 connector available as an accessory	
Emergency:	Not available	
Cord length [m]:	0.2	
Water-Lock system:	Included	
Ambient temperature operating range [°C]:	-20 °C ÷ +45 °C	

OPTICAL:

Beam angle [°]	97° x 96° x 40°
Light distribution	Other
Beam directionability	Fixed optics
Diffuser material	Sodium-calcium tempered glass 5mm(0,19")
Diffuser finish	Transparent - extra clear

LIGHTING SOURCE for model GH1603.BGATBLUEL

Light source	LED
Type of bulb or LED	LED
Light source [W]	4 W
Nominal LED emission [Lm]	204 lm
Color temperature	BLUE
Life Time LED [t]	60.000h - L80 - B10
LED voltage range [V]	6V
Current	350 mA
Luminaire emission [lm]	1 x 147
LED / Bulb	Included

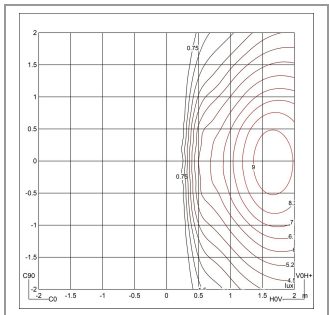
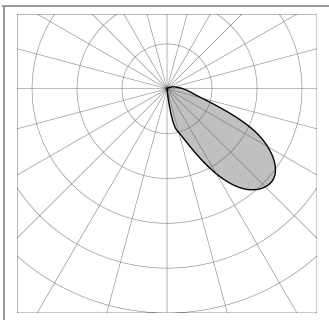
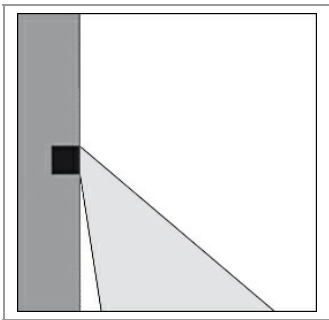
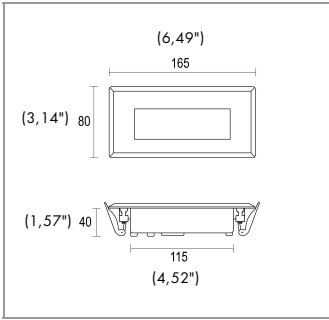
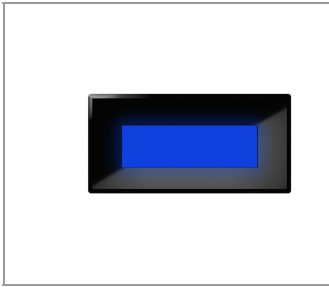
FINISH CODE:

- .V1 White Glass
- .V2 Black Glass





ACCESSORIES:



Driver LED IP67 24V DC
14W On/Off
AC146.0024014FN-67



Driver LED IP67 24V DC
40W On/Off
AC088.0024040FN-67



Driver LED IP67 24V DC
24W DALI
AC114.0024024FD-67



Driver LED IP67 24V DC
201W DALI
AC113.0024201FD-67

